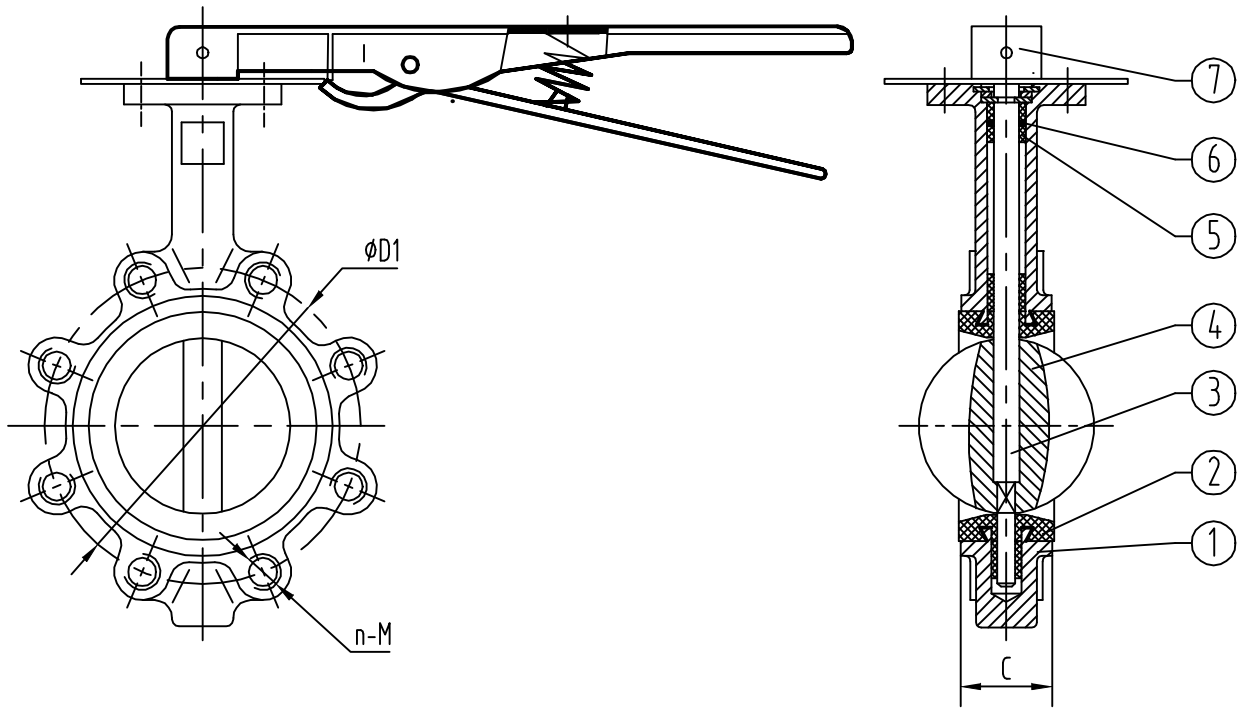


NOMINAL PRESSURE 1.6
 SHELL TEST PRESSURE 2.4 MPa
 SEAL TEST PRESSURE 1.76



STANDARD MATERIALS OF MAIN PARTS

ITEM	PART NAME	MATERIAL
1	Body	DI
2	Seat	NBR
3	Shaft	SS416
4	Disc	Ductile Iron+Ni
5	Bushing	PTFE
6	O Ring	NBR
7	Handle	CAST IRON

DIMENSIONS

SIZE		C	DIN PN16	
in	DN		D1	n-M
2	50	42.4	125	4-M16
2-1/2	65	45.8	145	4-M16
3	80	45.8	160	8-M16
4	100	52	180	8-M16
5	125	55	210	8-M16
6	150	55	240	8-M20
8	200	61	295	12-M20
10	250	67.2	355	12-M24
12	300	77	410	12-M24

LUG TYPE BUTTERFLY VALVE

TIANJIN TANGFA WATTS VALVE
 SALES CO.,LTD