

LG/NG/NGX120
LG/NG140
LG/NG/NGX200



Idea Series
Gas burners

MANUAL OF INSTALLATION - USE - MAINTENANCE

CIB UNIGAS

BURNERS - BRUCIATORI - BRULERS - BRENNER - QUEMADORES - ГОРЕЛКИ

TABLE OF CONTENTS

WARNINGS	3
PART I: INSTALLATION	5
GENERAL FEATURES	5
<i>How to interpret the burner's "Performance curve"</i>	6
<i>Checking the proper gas train size</i>	6
<i>Specifications</i>	7
<i>Low NOx burners</i>	10
<i>Country and usefulness gas categories</i>	10
<i>Overall dimensions</i>	11
<i>Performance curves</i>	12
<i>Pressure/rate in the network curves</i>	13
<i>Low NOx gas burners</i>	14
MOUNTINGS AND CONNECTIONS	15
<i>Fitting the burner to the boiler</i>	15
<i>Matching the burner to the boiler</i>	15
<i>Installing the gas train</i>	17
<i>Electrical connections</i>	17
Power supply without neutral	20
ADJUSTING THE AIR AND GAS FLOW RATES	21
<i>Combustion head pressure curves vs. the gas flow rate</i>	21
<i>Measuring the gas pressure in the combustion head</i>	21
<i>Pressure in combustion head - gas flow rate curves</i>	22
SETTING GAS AND AIR FLOW RATE	23
<i>Startup Output</i>	23
<i>Adjustments - brief description</i>	23
<i>Adjustment procedure</i>	24
<i>Single stage burners</i>	25
<i>Double stage, progressive and fully-modulating burners</i>	25
<i>Fully modulating burners</i>	25
<i>Adjusting the gas valves group fo single-stage and double-stage burners</i>	26
<i>Progressive, fully-modulating burner adjustments</i>	27
<i>Gas Proving System VPS504 (Option)</i>	28
<i>Adjusting the air and gas pressure switches</i>	29
<i>Adjusting the air pressure switch</i>	29
<i>Calibration of minimum gas pressure switch</i>	29
PART II: OPERATION	30
OPERATION	30
PART III: MAINTENANCE	31
ROUTINE MAINTENANCE	31
<i>Removing the filter in the MULTIBLOC DUNGS MB-DLE 405.412</i>	31
<i>Removing the filter in theMULTIBLOC DUNGS MB-DLE 415 - 420</i>	32
<i>Cleaning or replacing the Krom-Scroeder CG2 25 V valve filter</i>	32
<i>Disassembling the burner plate to service the burner fan</i>	33
<i>Removing the combustion head</i>	33
<i>Correct electrodes positioning</i>	34
<i>Checking the detection current</i>	35
<i>Seasonal stop</i>	35
<i>Burner disposal</i>	35
TROUBLESHOOTING	36
SPARE PARTS.....	37
BURNER EXPLODED VIEW.....	38
WIRING DIAGRAMS	42
APPENDIX	

WARNINGS

THIS MANUAL IS SUPPLIED AS AN INTEGRAL AND ESSENTIAL PART OF THE PRODUCT AND MUST BE DELIVERED TO THE USER.

INFORMATION INCLUDED IN THIS SECTION ARE DEDICATED BOTH TO THE USER AND TO PERSONNEL FOLLOWING PRODUCT INSTALLATION AND MAINTENANCE.

THE USER WILL FIND FURTHER INFORMATION ABOUT OPERATING AND USE RESTRICTIONS, IN THE SECOND SECTION OF THIS MANUAL. WE HIGHLY RECOMMEND TO READ IT.

CAREFULLY KEEP THIS MANUAL FOR FUTURE REFERENCE.

1) GENERAL INTRODUCTION

- The equipment must be installed in compliance with the regulations in force, following the manufacturer's instructions, by qualified personnel.
- Qualified personnel means those having technical knowledge in the field of components for civil or industrial heating systems, sanitary hot water generation and particularly service centres authorised by the manufacturer.
- Improper installation may cause injury to people and animals, or damage to property, for which the manufacturer cannot be held liable.
- Remove all packaging material and inspect the equipment for integrity.

In case of any doubt, do not use the unit - contact the supplier.

The packaging materials (wooden crate, nails, fastening devices, plastic bags, foamed polystyrene, etc), should not be left within the reach of children, as they may prove harmful.

- Before any cleaning or servicing operation, disconnect the unit from the mains by turning the master switch OFF, and/or through the cut-out devices that are provided.
- Make sure that inlet or exhaust grilles are unobstructed.
- In case of breakdown and/or defective unit operation, disconnect the unit. Make no attempt to repair the unit or take any direct action.

Contact qualified personnel only.

Units shall be repaired exclusively by a servicing centre, duly authorised by the manufacturer, with original spare parts.

Failure to comply with the above instructions is likely to impair the unit's safety.

To ensure equipment efficiency and proper operation, it is essential that maintenance operations are performed by qualified personnel at regular intervals, following the manufacturer's instructions.

- When a decision is made to discontinue the use of the equipment, those parts likely to constitute sources of danger shall be made harmless.
- In case the equipment is to be sold or transferred to another user, or in case the original user should move and leave the unit behind, make sure that these instructions accompany the equipment at all times so that they can be consulted by the new owner and/or the installer.
- For all the units that have been modified or have options fitted then original accessory equipment only shall be used.
- This unit shall be employed exclusively for the use for which it is meant. Any other use shall be considered as improper and, therefore, dangerous.

The manufacturer shall not be held liable, by agreement or otherwise, for damages resulting from improper installation, use and failure to comply with the instructions supplied by the manufacturer.

2) SPECIAL INSTRUCTIONS FOR BURNERS

- The burner should be installed in a suitable room, with ventilation openings complying with the requirements of the regulations in force, and sufficient for good combustion.
- Only burners designed according to the regulations in force should be used.
- This burner should be employed exclusively for the use for which it was designed.
- Before connecting the burner, make sure that the unit rating is the same as delivery mains (electricity, gas oil, or other fuel).
- Observe caution with hot burner components. These are, usually, near to the flame and the fuel pre-heating system, they become hot during the unit operation and will remain hot for some time after the burner has stopped.

When the decision is made to discontinue the use of the burner, the user

shall have qualified personnel carry out the following operations:

- a Remove the power supply by disconnecting the power cord from the mains.
- b) Disconnect the fuel supply by means of the hand-operated shut-off valve and remove the control handwheels from their spindles.

Special warnings

- Make sure that the burner has, on installation, been firmly secured to the appliance, so that the flame is generated inside the appliance firebox.
- Before the burner is started and, thereafter, at least once a year, have qualified personnel perform the following operations:
 - a set the burner fuel flow rate depending on the heat input of the appliance;
 - b set the flow rate of the combustion-supporting air to obtain a combustion efficiency level at least equal to the lower level required by the regulations in force;
 - c check the unit operation for proper combustion, to avoid any harmful or polluting unburnt gases in excess of the limits permitted by the regulations in force;
 - d make sure that control and safety devices are operating properly;
 - e make sure that exhaust ducts intended to discharge the products of combustion are operating properly;
 - f on completion of setting and adjustment operations, make sure that all mechanical locking devices of controls have been duly tightened;
 - g make sure that a copy of the burner use and maintenance instructions is available in the boiler room.
- In case of a burner shut-down, reset the control box by means of the RESET pushbutton. If a second shut-down takes place, call the Technical Service, **without trying to RESET further**.
- The unit shall be operated and serviced by qualified personnel only, in compliance with the regulations in force.

3) GENERAL INSTRUCTIONS DEPENDING ON FUEL USED

3a) ELECTRICAL CONNECTION

- For safety reasons the unit must be efficiently earthed and installed as required by current safety regulations.
 - It is vital that all safety requirements are met. In case of any doubt, ask for an accurate inspection of electricians by qualified personnel, since the manufacturer cannot be held liable for damages that may be caused by failure to correctly earth the equipment.
 - Qualified personnel must inspect the system to make sure that it is adequate to take the maximum power used by the equipment shown on the equipment rating plate. In particular, make sure that the system cable cross section is adequate for the power absorbed by the unit.
 - No adaptors, multiple outlet sockets and/or extension cables are permitted to connect the unit to the electric mains.
 - An omnipolar switch shall be provided for connection to mains, as required by the current safety regulations.
 - The use of any power-operated component implies observance of a few basic rules, for example:
 - do not touch the unit with wet or damp parts of the body and/or with bare feet;
 - do not pull electric cables;
 - do not leave the equipment exposed to weather (rain, sun, etc.) unless expressly required to do so;
 - do not allow children or inexperienced persons to use equipment;
 - The unit input cable shall not be replaced by the user.
- In case of damage to the cable, switch off the unit and contact qualified personnel to replace.
- When the unit is out of use for some time the electric switch supplying all the power-driven components in the system (i.e. pumps, burner, etc.) should be switched off.

3b) FIRING WITH GAS, LIGHT OIL OR OTHER FUELS

GENERAL

- The burner shall be installed by qualified personnel and in compliance with regulations and provisions in force; wrong installation can cause injuries to people and animals, or damage to property, for which the manufacturer cannot be held liable.
- Before installation, it is recommended that all the fuel supply system pipes be carefully cleaned inside, to remove foreign matter that might impair the burner operation.
- Before the burner is commissioned, qualified personnel should inspect the following:
 - a the fuel supply system, for proper sealing;
 - b the fuel flow rate, to make sure that it has been set based on the firing rate required of the burner;
 - c the burner firing system, to make sure that it is supplied for the designed fuel type;
 - d the fuel supply pressure, to make sure that it is included in the range shown on the rating plate;
 - e the fuel supply system, to make sure that the system dimensions are adequate to the burner firing rate, and that the system is equipped with all the safety and control devices required by the regulations in force.
- When the burner is to remain idle for some time, the fuel supply tap or taps should be closed.

SPECIAL INSTRUCTIONS FOR USING GAS

Have qualified personnel inspect the installation to ensure that:

- a the gas delivery line and train are in compliance with the regulations and provisions in force;
 - b all gas connections are tight;
 - c the boiler room ventilation openings are such that they ensure the air supply flow required by the current regulations, and in any case are sufficient for proper combustion.
- Do not use gas pipes to earth electrical equipment.
 - Never leave the burner connected when not in use. Always shut the gas valve off.
 - In case of prolonged absence of the user, the main gas delivery valve to the burner should be shut off.

Precautions if you can smell gas

- a do not operate electric switches, the telephone, or any other item likely to generate sparks;
 - b immediately open doors and windows to create an air flow to purge the room;
 - c close the gas valves;
 - d contact qualified personnel.
- Do not obstruct the ventilation openings of the room where gas appliances are installed, to avoid dangerous conditions such as the development of toxic or explosive mixtures.

DIRECTIVES AND STANDARDS

Gas burners

European directives:

- Directive 90/396/CEE - Gas Appliances;
- Directive 2006/95/EC on low voltage;
- Directive 2004/108/CEE on electromagnetic compatibility

Harmonised standards :

- UNI EN 676 (Gas Burners);
- CEI EN 60335-1(Household and similar electrical appliances - Safety. Part 1: General requirements;
- EN 50165 (Electrical equipment of non-electric appliances for household and similar purposes. Safety requirements.

Light oil burners

European directives:

- Directive 2006/95/EC on low voltage;
- Directive 2004/108/CEE on electromagnetic compatibility

Harmonised standards :

- CEI EN 60335-1(Household and similar electrical appliances - Safety. Part 1: General requirements;
- EN 50165 (Electrical equipment of non-electric appliances for household and similar purposes. Safety requirements.

National standards :

- UNI 7824: Monobloc nebulizer burners for liquid fuels. Characteristics and test methods

Heavy oil burners

European directives:

- Directive 2006/95/EC on low voltage;
- Directive 2004/108/CEE on electromagnetic compatibility

Harmonised standards :

- CEI EN 60335-1 Household and similar electrical appliances - SafetyPart 1: General requirements;
- EN 50165 Electrical equipment of non-electric appliances for household and similar purposes. Safety requirements.

National standards :

- UNI 7824: Monobloc nebulizer burners for liquid fuels. Characteristics and test methods

Gas - Light oil burners

European directives:

- Directive 90/396/CEE Gas Appliances;
- Directive 2006/95/EC on low voltage;
- Directive 2004/108/CEE on electromagnetic compatibility

Harmonised standards :

- UNI EN 676 Gas Burners
- CEI EN 60335-1(Household and similar electrical appliances - Safety. Part 1: General requirements;
- EN 50165 Electrical equipment of non-electric appliances for household and similar purposes. Safety requirements.

National standards :

- UNI 7824: Monobloc nebulizer burners for liquid fuels. Characteristics and test methods

Gas - Heavy oil burners

European directives:

- Directive 90/396/CEE - Gas Appliances;
- Directive 2006/95/EC on low voltage;
- Directive 2004/108/CEE on electromagnetic compatibility

Harmonised standards :

- UNI EN 676 (Gas Burners);
- CEI EN 60335-1(Household and similar electrical appliances - Safety. Part 1: General requirements;
- EN 50165 Electrical equipment of non-electric appliances for household and similar purposes. Safety requirements.

National standards :

- UNI 7824: Monobloc nebulizer burners for liquid fuels. Characteristics and test methods

PART I: INSTALLATION

GENERAL FEATURES

Burners of this series are provided with a removable cover made of ABS, a heat and crash proof plastic material. The design of the shifing flange assures an efficient tightness and room saving. The inspection glass allows checking the flame during operation. All the mechanical components are mopunted on a removable plate that makes routine maintenance operation easier. The combustion head position can be easily adjusted by means of a indexed screw and the peculiar air intake lower the noise levels. Single-stage or double-stage models are available.

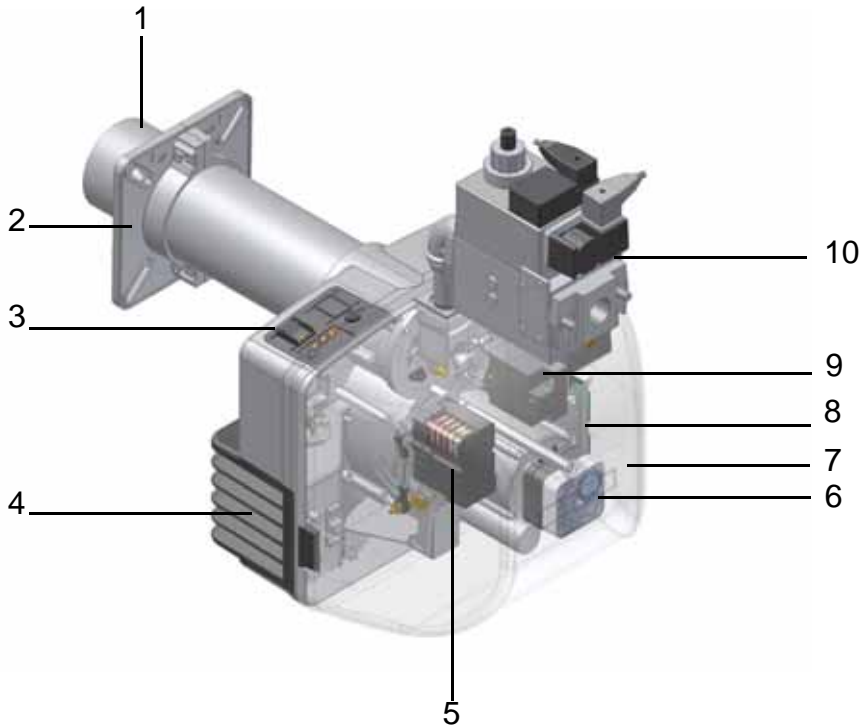


Fig. 1

- 1 Blast tube-combustion head ass.y
- 2 Burner flange
- 3 Control panel with startup switch
- 4 Air intake
- 5 Actuator (double-stage burners only)
- 6 Air pressure switch
- 7 Cover
- 8 Printed board circuit
- 9 Control box
- 10 Gas valves group

The gas coming from the supply line, passes through the valves group provided with filter and stabiliser. This one forces the pressure in the utilisation limits. In the double-stage, progressive and fully-modulating burners, the electric servocontrol (5) moves proportionally the air damper: it uses an adjusting cam with variable shape. This one allows the optimisation of the gas flue values, as to get an efficient combustion. The combustion head positioning determines the burner output. Fuel and comburent are routed into separated ways as far as the zone of flame generation (combustion chamber). The air (comburent) and fuel (gas, gas oil, heavy oil) are forced into the combustion chamber.

How to interpret the burner's "Performance curve"

To check if the burner is suitable for the boiler to which it must be installed, the following parameters are needed:

- furnace input, in kW or kcal/h ($kW = kcal/h / 860$);
- backpressure (data are available on the boiler's ID plate or in the user's manual).

Example:

Furnace input: 600kW

Backpressure: 4mbar

In the "Performance curve" diagram (Fig. 2), draw a vertical line matching the furnace input value and an horizontal line matching the backpressure value. The burner is suitable if the intersection point A is inside the performance curve.

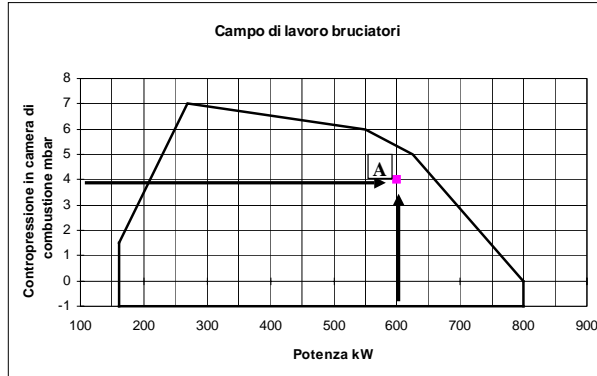


Fig. 2

Data are referred to standard conditions: atmospheric pressure at 1013mbar, ambient temperature at 15°C.

Checking the proper gas train size

To check the proper gas train size, it is necessary to the available gas pressure value upstream the burner's gas valve. Then subtract the backpressure. The result is called **p_{gas}**. Draw a vertical line matching the furnace input value (600kW, in the example), quoted on the x-axis, as far as intercepting the network pressure curve, according to the installed gas train (DN65, in the example). From the interception point, draw an horizontal line as far as matching, on the y-axis, the value of pressure necessary to get the requested furnace input. This value must be lower or equal to the **p_{gas}** value, calculated before.

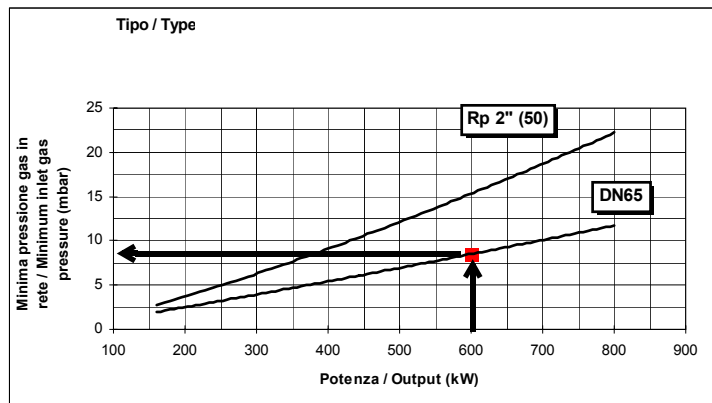


Fig. 3

Burner model identification

Burners are identified by burner type and model. Burner model identification is described as follows.

Type	NG200	Model	M-	TN.	S.	.*	A.	0.	15
(1)	(2)	(3)	(4)	(5)	(6)	(7)	(8)	(9)	(10)
(1) BURNER TYPE	NG - Natural gas burner		LG - L.P.G. burner						
	NGX - Low NOx burners								
(2) FUEL	M - Natural gas		L - LPG						
(3) OPERATION(Available versions)	TN - Single stage		AB - Double stage						
	PR - Progressive		MD - Fully modulating						
(4) BLAST TUBE	S - standard		L - Extended						
(5) DESTINATION COUNTRY	* see data plate								
(6) BURNER VERSION	A - Standard								
	Y - with external air intake								
(7) EQUIPMENT	0 = 2 gas valves								
	1 = 2 Gas valves + gas proving system (optional if burner output < 1200 kW)								
(8) GAS CONNECTION	15 = Rp1/2		20 = Rp 3/4		25 = Rp1				

Specifications

BURNERS		NG120..TN..15	NG120..TN..20	NG120..TN..25	LG120 L-.TN...15	LG120 L-.TN...20
Output	min.- max. kW	60 - 120				
Fuel		Natural gas			L.P.G.	
Category		(see next paragraph)			I _{3B/P}	
Gas rate	min.-max.(Stm ³ /h)	6.4 - 12.7			2.3 - 4.6	
Gas pressure	min.-max.mbar	(Note2)				
Power supply		230V - 50 Hz				
Total power consumption	kW	0.48				
Electric motor	kW	0.18				
Protection		IP40				
Approx. weight	kg	18				
Valves size - Gas connection		1/2" - Rp 1/2	3/4" - Rp 3/4	1" - Rp 1	1/2" - Rp 1/2	3/4" - Rp 3/4
Operation		Single stage				
Operating temperature	°C	-10 ÷ +50				
Storage Temperature	°C	-20 ÷ +60				
Working service *		Intermittent				

BURNERS		NG140..TN..15	NG140..TN..20	NG140..TN..25
Output	min.- max. kW	60 - 170		
Fuel		Natural gas		
Category		(see next paragraph)		
Gas rate	min.-max.(Stm ³ /h)	6.4 - 18		
Gas pressure	min.-max.mbar	(Note2)		
Power supply		230V - 50 Hz		
Total power consumption	kW	0.48		
Electric motor	kW	0.18		
Protection		IP40		
Approx. weight	kg	18		
Valves size - Gas connection		1/2" - Rp 1/2	3/4" - Rp 3/4	1" - Rp 1
Operation		Single stage		
Operating temperature	°C	-10 ÷ +50		
Storage Temperature	°C	-20 ÷ +60		
Working service *		Intermittent		

BURNERS		LG140..TN..15	LG140..TN..20	LG140..TN..25
Output	min.- max. kW	60 - 170		
Fuel		L.P.G.		
Category		I _{3B/P}		
Gas rate	min.-max.(Stm ³ /h)	2.3 - 6.5		
Gas pressure	min.-max.mbar	(Note2)		
Power supply		230V - 50 Hz		
Total power consumption	kW	0.48		
Electric motor	kW	0.18		
Protection		IP40		
Approx. weight	kg	18		
Valves size - Gas connection		1/2" - Rp 1/2	3/4" - Rp 3/4	1" - Rp 1
Operation		Single stage		
Operating temperature	°C	-10 ÷ +50		
Storage Temperature	°C	-20 ÷ +60		
Working service *		Intermittent		

BURNERS		NG200..TN...20	NG200..TN..25	LG200..TN..20	LG200..TN..25
Output	min.- max. kW	85 - 200			
Fuel		Natural gas		L.P.G.	
Category		(see next paragraph)		I _{3B/P}	
Gas rate	min.-max.(Stm ³ /h)	9 - 21		3.3 - 7.7	
Gas pressure	min.-max.mbar	(Note2)			
Power supply		230V - 50 Hz			
Total power consumption	kW	0.48			
Electric motor	kW	0.18			
Protection		IP40			
Approx. weight	kg	20			
Valves size - Gas connection		3/4" - Rp 3/4	1" - Rp 1	3/4" - Rp 3/4	1" - Rp 1
Operation		Single stage			
Operating temperature	°C	-10 ÷ +50			
Storage Temperature	°C	-20 ÷ +60			
Working service *		Intermittent			

BURNERS		NG140..xx..15	NG140..xx.20	NG140..xx.25	LG140..xx.15
Output	min.- max. kW	35 - 170			40 - 170
Fuel		Natural gas			L.P.G.
Category		(see next paragraph)			I _{3B/P}
Gas rate	min.-max.(Stm ³ /h)	3.7 - 18			1.5 - 6.5
Gas pressure	min.-max.mbar	(Note2)			
Power supply		230V - 50 Hz			
Total power consumption	kW	0.48			
Electric motor	kW	0.18			
Protection		IP40			
Approx. weight	kg	18			
Valves size - Gas connection		1/2" - Rp 1/2	3/4" - Rp 3/4	1" - Rp 1	1/2" - Rp 1/2
Operation		Double stage - Progressive - Fully modulating			
Operating temperature	°C	-10 ÷ +50			
Storage Temperature	°C	-20 ÷ +60			
Working service *		Intermittent			

BURNERS		NG200..xx..20	NG200..xx..25	LG200..xx..20	LG200..xx..25
Output	min.- max. kW	42 - 200			
Fuel		Natural gas		L.P.G.	
Category		(see next paragraph)			
Gas rate	min.-max.(Stm ³ /h)	4.4 - 21		1.5 - 7.7	
Gas pressure	min.-max.mbar	(Note2)			
Power supply		230V - 50 Hz			
Total power consumption	kW	0.48			
Electric motor	kW	0.18			
Protection		IP40			
Approx. weight	kg	20			
Valves size - Gas connection		3/4" - Rp 3/4	1" - Rp 1	3/4" - Rp 3/4	1" - Rp 1
Operation		Double stage - Progressive - Fully modulating			
Operating temperature	°C	-10 ÷ +50			
Storage Temperature	°C	-20 ÷ +60			
Working service *		Intermittent			

BURNERS		LG140..xx..15	LG140..xx..20	LG140..xx..25
Output	min.- max. kW	40 - 170		
Fuel		L.P.G.		
Category		I _{3B/P}		
Gas rate	min.-max.(Stm ³ /h)	1.5 - 6.5		
Gas pressure	min.-max.mbar	(Note2)		
Power supply		230V - 50 Hz		
Total power consumption	kW	0.48		
Electric motor	kW	0.18		
Protection		IP40		
Approx. weight	kg	18		
Valves size - Gas connection		1/2" - Rp 1/2	3/4" - Rp 3/4	1" - Rp 1
Operation		Double stage - Progressive - Fully modulating		
Operating temperature	°C	-10 ÷ +50		
Storage Temperature	°C	-20 ÷ +60		
Working service *		Intermittent		

Note1:	All gas flow rates are referred to Stm ³ /h (1013 mbar absolute pressure, 15 °C temperature) and are valid for G20 gas (nett calorific value H _i = 34.02 MJ/Stm ³); for L.P.G. (net calorific value H _i = 93.5 MJ/Stm ³)
Note2:	Maximum gas pressure = 360mbar (with Dungs MBDLE/MBC valves) = 100 mbar (with Krom-Schroeder CG2.. valves) Minimum gas pressure = see gas curves.

* NOTE ON THE WORKING SERVICE: the SIEMENS LME.. control box automatically stops after 24h of continuous working. The control box immediately starts up, automatically.

Low NOx burners

BURNERS		NGX120 M-.TN...20	NGX120 M-.xx...20
Output	min.- max. kW	75 - 120	35 - 120
Fuel		Natural gas	
Category		(see next paragraph)	
Gas rate	min.-max.(Stm ³ /h)	8.0 - 12.7	3.7 - 12.7
Gas pressure	min.-max.mbar	(Note2)	
Power supply		230V - 50 Hz	
Total power consumption	kW	0.48	
Electric motor	kW	0.18	
Protection		IP40	
Approx. weight	kg	20	
Valves size - Gas connection		3/4" - Rp 3/4	
Operation		Single stage	Double stage - Progressive - Fully modulating
Operating temperature	°C	-10 ÷ +50	
Storage Temperature	°C	-20 ÷ +60	
Working service *		Intermittent	

BURNERS		NGX200..TN..20	NGX200..TN..25	NGX200..xx..20	NGX200..xx..25
Output	min.- max. kW	85 - 150		40 - 150	
Fuel		Natural gas		Natural gas	
Category		(see next paragraph)			
Gas rate	min.-max.(Stm ³ /h)	9 - 16		4.2 - 16	
Gas pressure	min.-max.mbar	(Note2)			
Power supply		230V - 50 Hz			
Total power consumption	kW	0.48			
Electric motor	kW	0.18			
Protection		IP40			
Approx. weight	kg	20			
Valves size - Gas connection		3/4" - Rp 3/4	1" - Rp 1	3/4" - Rp 3/4	1" - Rp 1
Operation		Single stage		Double stage - Progressive - Fully modulating	
Operating temperature	°C	-10 ÷ +50			
Storage Temperature	°C	-20 ÷ +60			
Working service *		Intermittent			

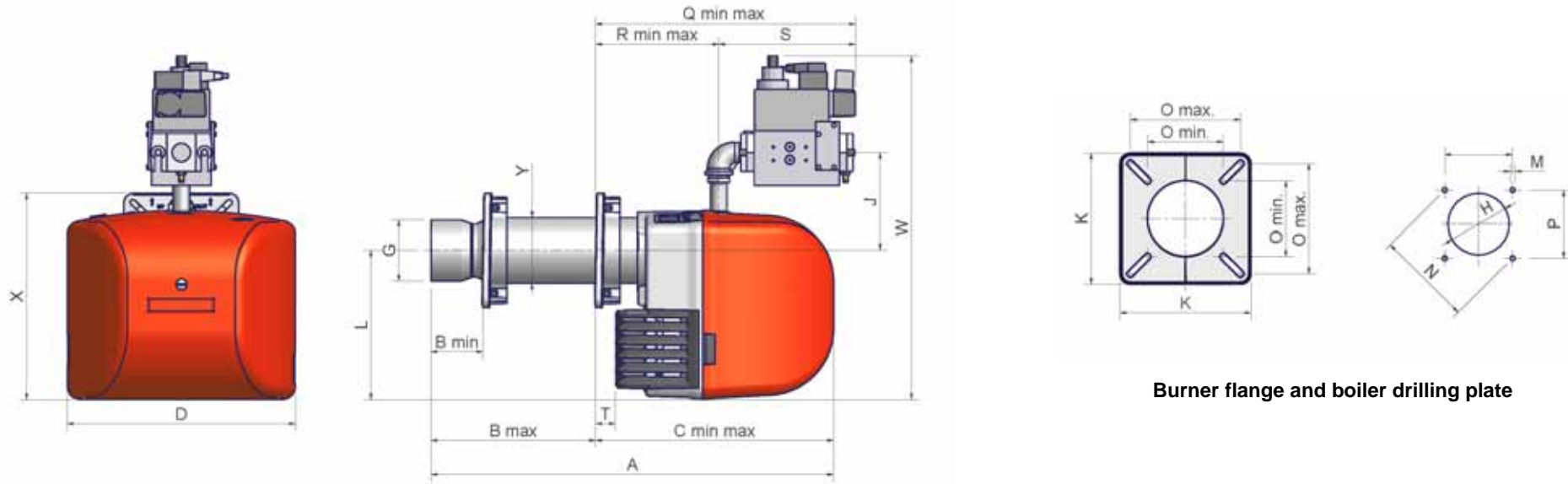
Note1:	All gas flow rates are referred to Stm ³ /h (1013 mbar absolute pressure, 15 °C temperature) and are valid for G20 gas (nett calorific value H _i = 34.02 MJ/Stm ³); for L.P.G. (net calorific value H _i = 93.5 MJ/Stm ³)
Note2:	Maximum gas pressure = 360mbar (with Dungs MBDLE/MBC valves) = 100 mbar (with Krom-Schroeder CG2.. valves) Minimum gas pressure = see gas curves.

* NOTE ON THE WORKING SERVICE: the SIEMENS LME.. control box automatically stops after 24h of continuous working. The control box immediately starts up, automatically.

Country and usefulness gas categories

GAS CATEGORY	COUNTRY																								
	AT	ES	GR	SE	FI	IE	HU	IS	NO	CZ	DK	GB	IT	PT	CY	EE	LV	SI	MT	SK	BG	LT	RO	TR	CH
I _{2H}																									
I _{2E}	LU	PL	-	-	-	-	-	-	-	-	-	-	-	-	-	-	-	-	-	-	-	-	-	-	-
I _{2E(R)B}	BE	-	-	-	-	-	-	-	-	-	-	-	-	-	-	-	-	-	-	-	-	-	-	-	-
I _{2L}	NL	-	-	-	-	-	-	-	-	-	-	-	-	-	-	-	-	-	-	-	-	-	-	-	-
I _{2ELL}	DE	-	-	-	-	-	-	-	-	-	-	-	-	-	-	-	-	-	-	-	-	-	-	-	-
I _{2Er}	FR	-	-	-	-	-	-	-	-	-	-	-	-	-	-	-	-	-	-	-	-	-	-	-	-

Overall dimensions (mm)



Burner flange and boiler drilling plate

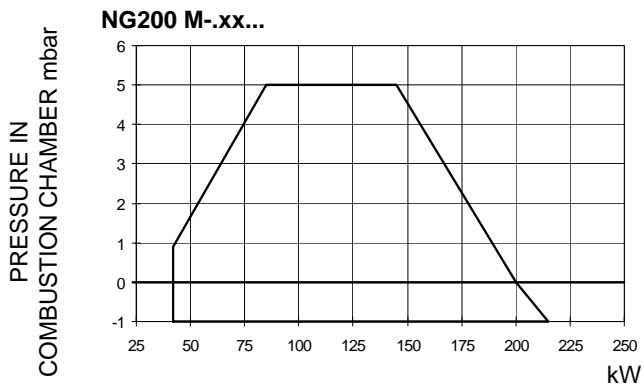
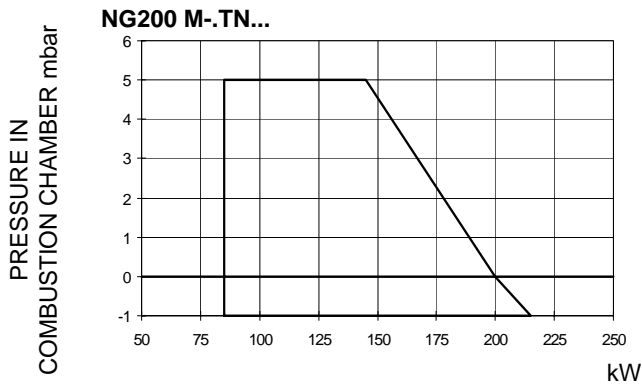
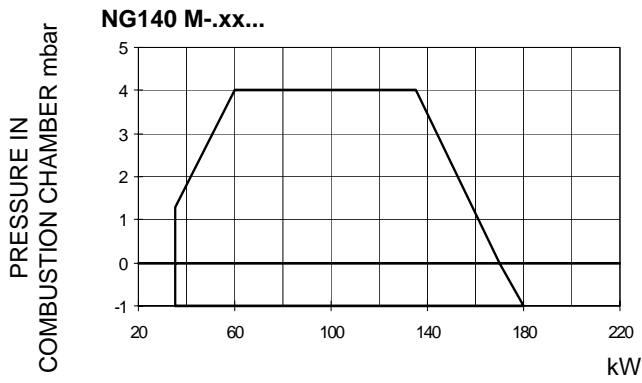
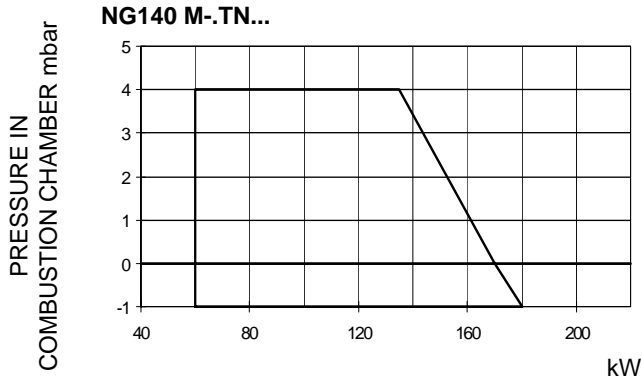
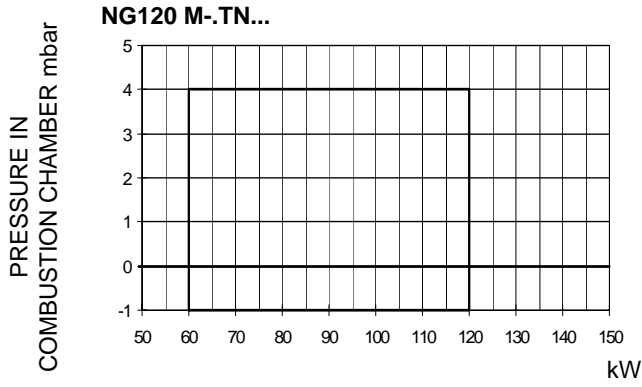
	DN	A	Bmin.	Bmax.	Cmin.	Cmax.	D	G	H	J	K	L	M	N	Omin.	Omax.	P	Q	R	S	Tmin.	W	X	Y		
NG120- (S)	15	560	85	170	390	475	374	Ø101	Ø128	161	188	245	M8	188	109	158	133	382	467	202	287	180	32	537	340	Ø108
NG120- (L)	15	660	85	270	390	575	374	Ø101	Ø128	161	188	245	M8	188	109	158	133	382	567	202	387	180	32	537	340	Ø108
NG140- (S)	20	560	85	170	390	475	374	Ø101	Ø128	161	188	245	M8	188	109	158	133	382	467	202	287	180	32	537	340	Ø108
NG140- (L)	20	660	85	270	390	575	374	Ø101	Ø128	161	188	245	M8	188	109	158	133	382	567	202	387	180	32	537	340	Ø108
NG140- (S)	25	560	85	170	390	475	374	Ø101	Ø128	161	188	245	M8	188	109	158	133	426	511	202	287	224	32	565	340	Ø108
NG14- (L)	25	660	85	270	390	575	374	Ø101	Ø128	161	188	245	M8	188	109	158	133	426	611	202	387	224	32	565	340	Ø108
NG200- (S)	20	560	85	170	390	475	374	Ø117	Ø137	161	188	245	M8	188	109	158	133	382	467	202	287	180	32	537	340	Ø108
NG200- (L)	20	660	85	270	390	575	374	Ø117	Ø137	161	188	245	M8	188	109	158	133	382	567	202	387	180	32	537	340	Ø108
NG200- (S)	25	560	85	170	390	475	374	Ø117	Ø137	161	188	245	M8	188	109	158	133	426	511	202	287	224	32	565	340	Ø108
NG200- (L)	25	660	85	270	390	575	374	Ø117	Ø137	161	188	245	M8	188	109	158	133	426	611	202	387	224	32	565	340	Ø108

	DN	A	Bmin.	Bmax.	Cmin.	Cmax.	D	G	H	J	K	L	M	N	Omin.	Omax.	P	Q	R	S	Tmin.	W	X	Y		
NGX120- (S)	15	560	85	170	390	475	374	Ø108	Ø128	161	188	245	M8	188	109	158	133	382	467	202	287	180	32	537	340	Ø108
NGX120- (L)	15	660	85	270	390	575	374	Ø108	Ø128	161	188	245	M8	188	109	158	133	382	567	202	387	180	32	537	340	Ø108
NGX120- (S)	25	560	85	170	390	475	374	Ø108	Ø128	161	188	245	M8	188	109	158	133	382	467	202	287	180	32	537	340	Ø108
NGX120- (L)	25	660	85	270	390	575	374	Ø108	Ø128	161	188	245	M8	188	109	158	133	382	567	202	387	180	32	537	340	Ø108
NGX200- (S)	25	560	85	170	390	475	374	Ø114	Ø134	161	188	245	M8	188	109	158	133	382	467	202	287	180	32	537	340	Ø108
NGX200- (L)	25	660	85	270	390	575	374	Ø114	Ø134	161	188	245	M8	188	109	158	133	382	567	202	387	180	32	537	340	Ø108

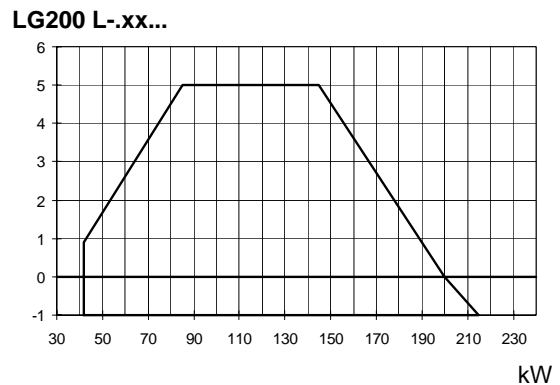
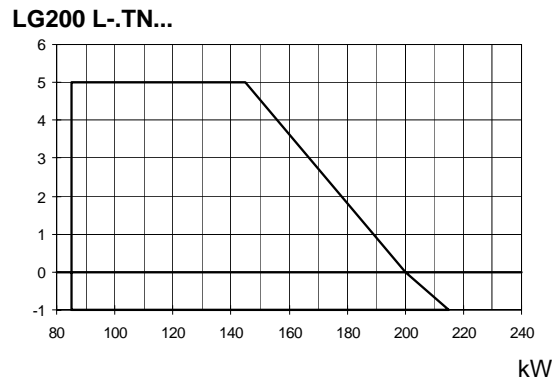
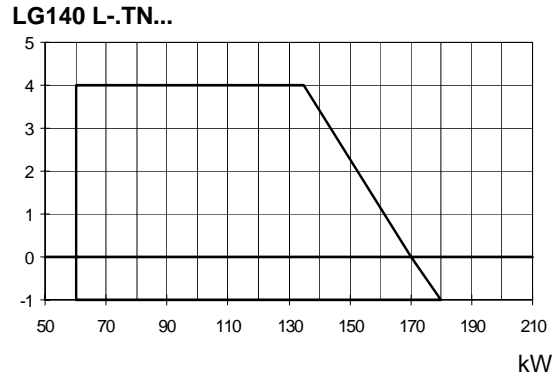
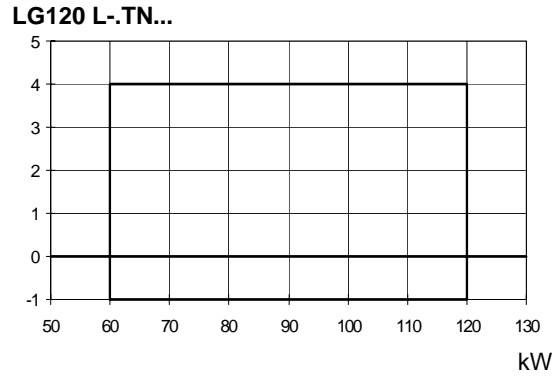
*S = standard blast tube
L = extended blast tube

Performance curves

● **Natural gas burners**



● **LPG burners**



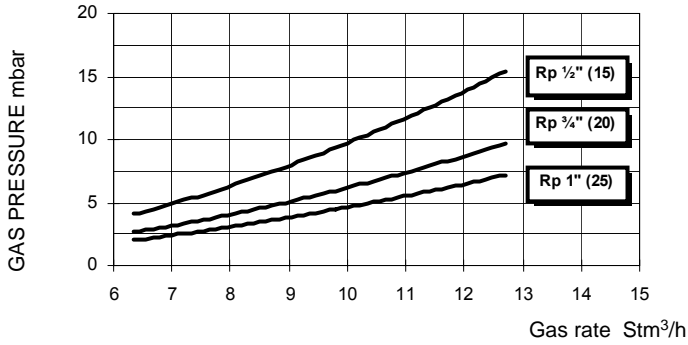
To get the input in kcal/h, multiply value in kW by 860.

Data are referred to standard conditions: atmospheric pressure at 1013mbar, ambient temperature at 15°C.

Pressure/rate in the network curves

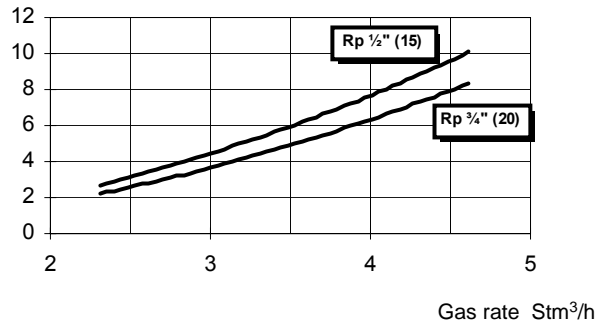
● Natural gas Burners

NG120 M-.TN...

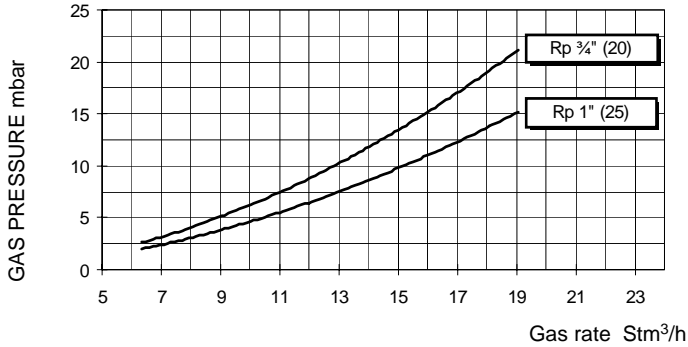


● LPG burners

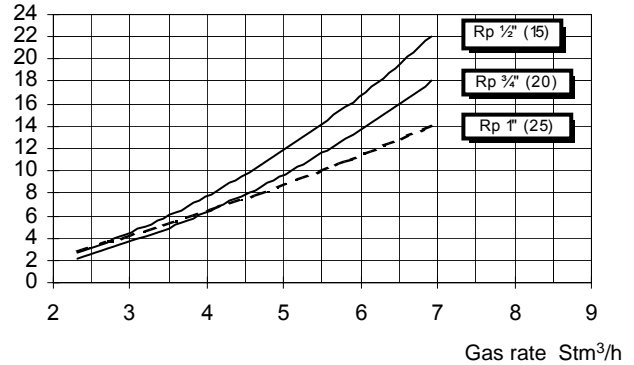
LG120 L-.TN...



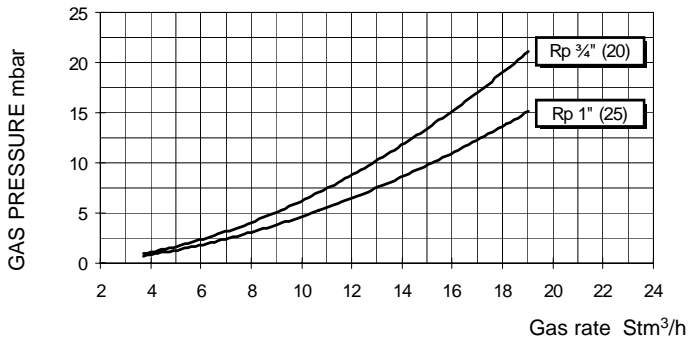
NG140 M-.TN...



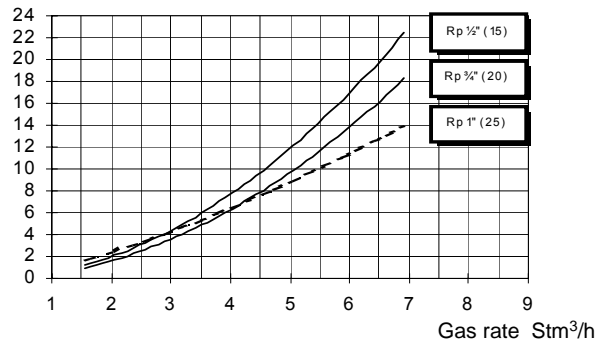
LG140 L-.TN...



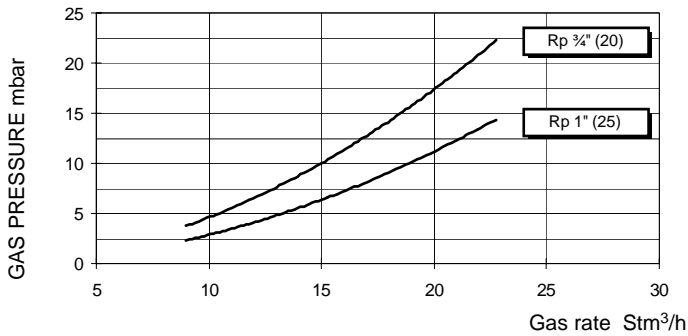
NG140 M-.xx...



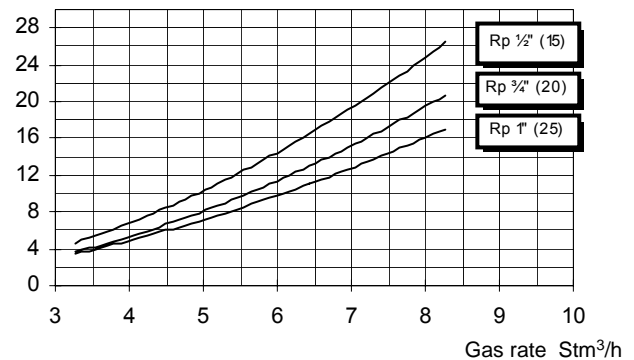
LG140 L-.xx...



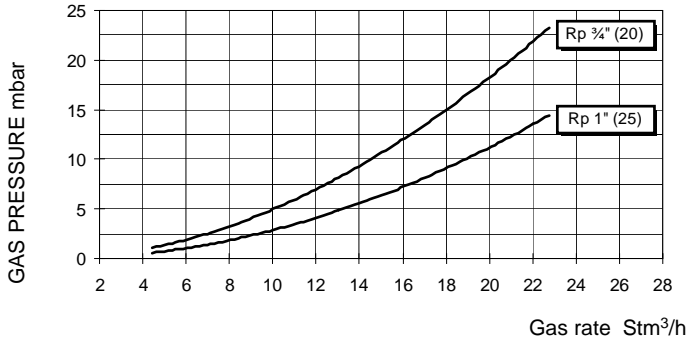
NG200 M-.TN...



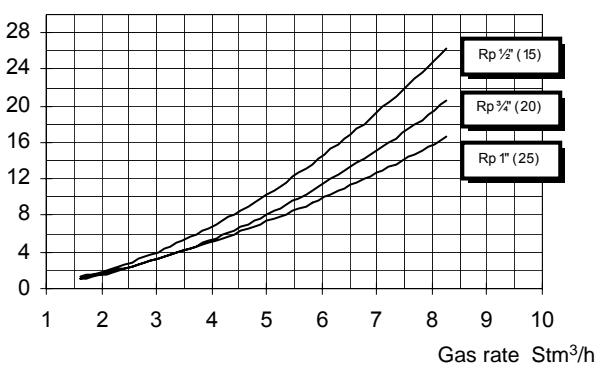
LG200 L-.TN...



NG200 M-.xx...

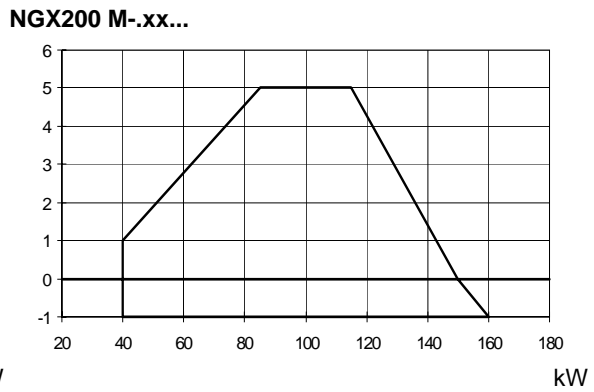
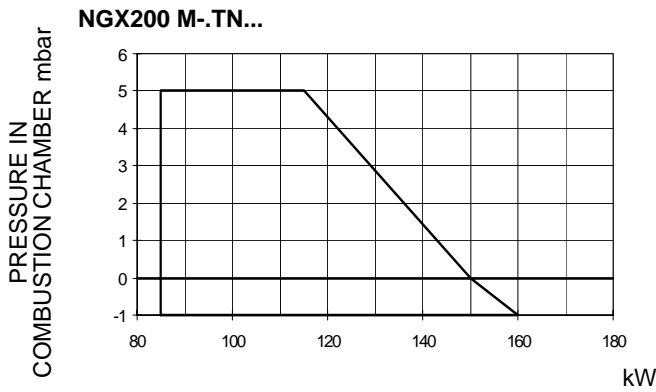
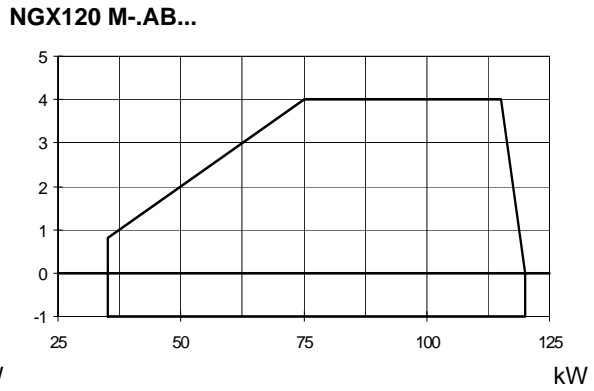
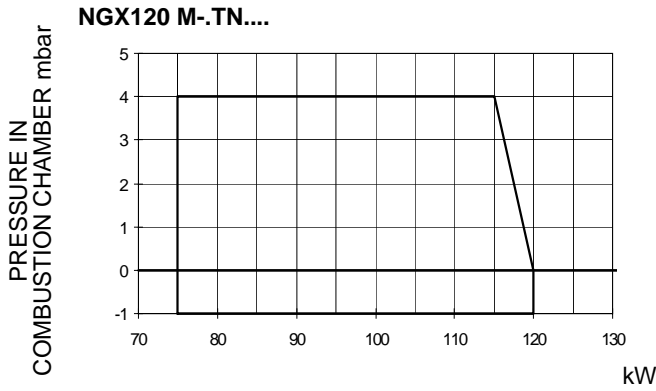


LG200 L-.xx...



Low NOx gas burners

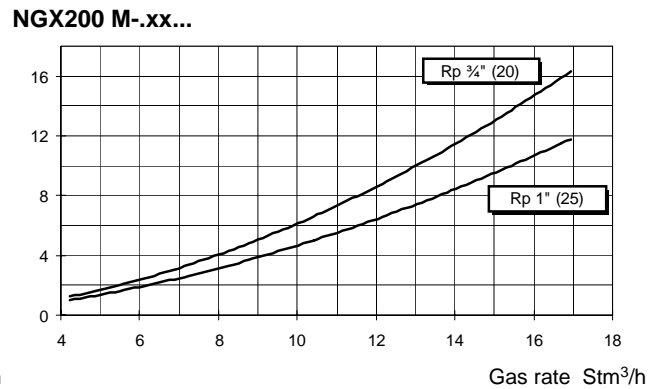
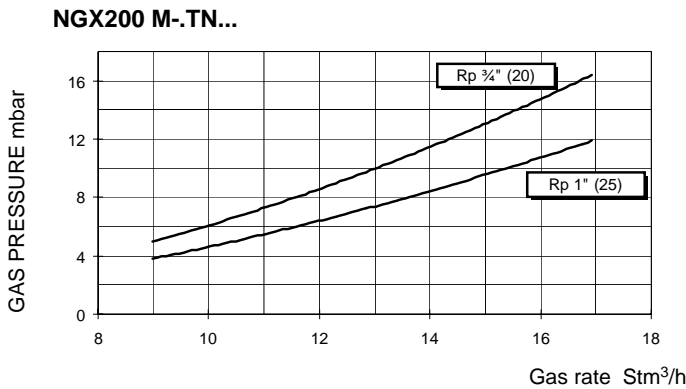
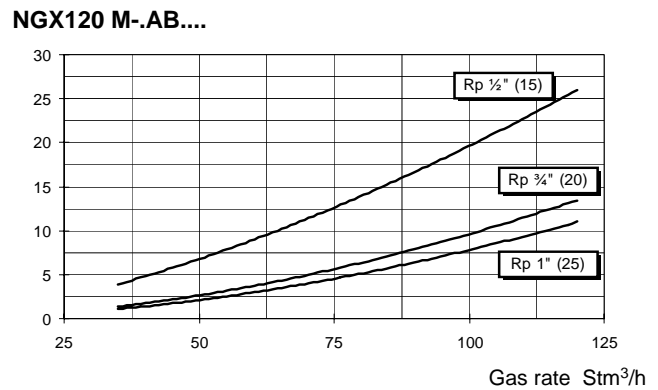
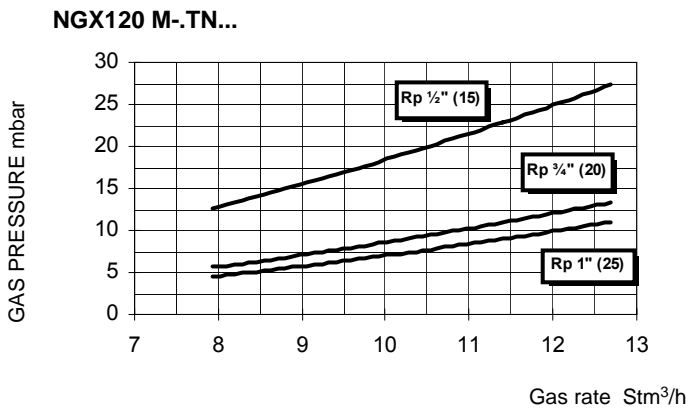
● Performance curves



To get the input in kcal/h, multiply value in kW by 860.

Data are referred to standard conditions: atmospheric pressure at 1013mbar, ambient temperature at 15°C.

● Pressure in the network - gas flow rate curves



MOUNTINGS AND CONNECTIONS

Packing

The burners are dispatched in cardboard packages whose dimensions are:

- Standard Blast tube: 600mm x 370mm x 400mm (L x P x H)
- Extended Blast tube: 750mm x 370mm x 400mm (L x P x H)

Packing cases of this kind are affected by humidity and are not suitable for stacking. The following are placed in each packing case.

- 1 burner with detached gas train;
- 1 gasket to be inserted between the burner and the boiler;
- 1 envelope containing this manual.

To get rid of the burner's packing, follow the procedures laid down by current laws on disposal of materials.

Fitting the burner to the boiler

To install the burner into the boiler, proceed as follows:

- 1 on the boiler's door hole, fix the 4 stud bolts according to the drilling template showed on paragraph "Overall dimensions"
- 2 fix the flange of the burner to the boiler;
- 3 install the burner into the boiler;
- 4 according to the reference showed on Fig. 5, fix the flange to the boiler's stud bolts **D**, without completely fastening;
- 5 loosen the **VS** screws in order to let the blast tube move back and forth;
- 6 install the burner making the blast tube move into the flange as to reach the right position according to the boiler/utilisation
- 7 fasten the **VS** screws;
- 8 tighten the 4 stud bolts **D** completely;
- 9 seal the space between the blast tube and the refractory lining with appropriate insulating material (ceramic fibre cord or refractory cement).

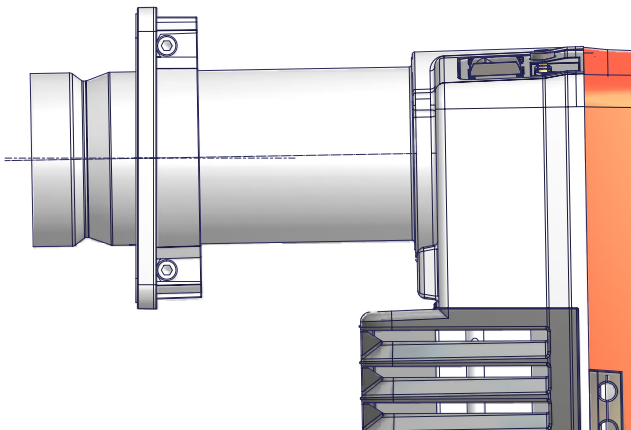


Fig. 4

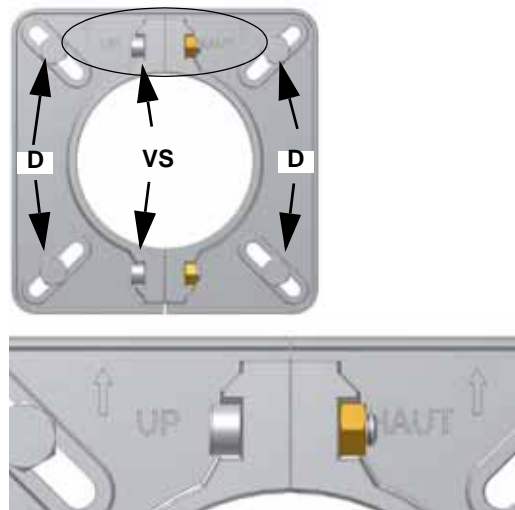


Fig. 5

Matching the burner to the boiler

The burners described in this manual have been tested with combustion chambers that comply with EN676 regulation and whose dimensions are described in the diagram. In case the burner must be coupled with boilers with a combustion chamber smaller in diameter or shorter than those described in the diagram, please contact the supplier, to verify that a correct matching is possible, with respect of the application involved. To correctly match the burner to the boiler verify the necessary input and the pressure in combustion chamber are included in the burner performance curve; otherwise the choice of the burner must be revised consulting the burner manufacturer. To choose the blast tube length follow the instructions of the boiler manufacturer. In absence of these consider the following:

- Cast-iron boilers, three pass flue boilers (with the first pass in the rear part): the blast tube must protrude no more than 100 mm into the combustion chamber.
- Pressurised boilers with flame reversal: in this case the blast tube must penetrate at least 50 - 100 mm into combustion chamber in respect to the tube bundle plate.

The length of the blast tubes does not always allow this requirement to be met, and thus it may be necessary to use a suitably-sized

spacer to move the burner backwards or to design a blast tube that suits the utilisation (please, contact the manufacturer).

Key

- a) Heat output in kW
- b) Length of the flame tube in meters
- c) Flame tube firing intensity in MW/m³
- d) Combustion chamber diameter (m)

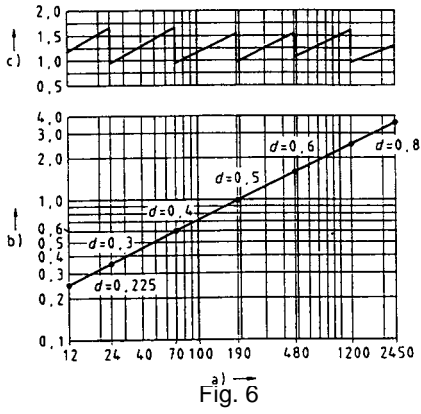

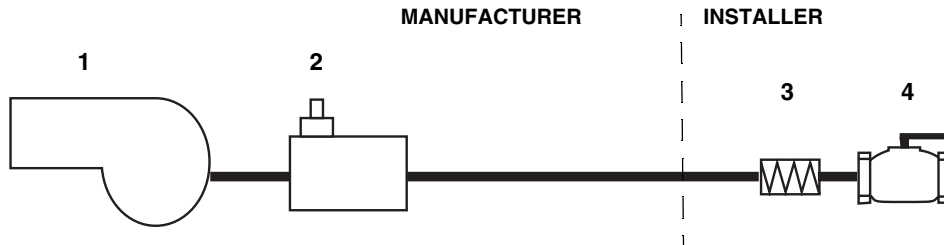


Fig. 6 - Firing intensity, diameter and length of the test flame tube as a function of the heat input in kW.

Installing the gas train

	ATTENTION: BEFORE EXECUTING THE CONNECTIONS TO THE GAS PIPE NETWORK, BE SURE THAT THE MANUAL CUTOFF VALVES ARE CLOSED. READ CAREFULLY THE "WARNINGS" CHAPTER AT THE BEGINNING OF THIS MANUAL.
---	--

The following diagram shows the gas train components which are included in the delivery and those which must be fitted by the customer. The diagram complies with regulations in force.







KeyKey

- 1 Burner
- 2 Valves group
- 3 Bellow joint
- 4 Manual cutoff valve

NOTE: the bellow joint, the manual cock and the gaskets are not part of the standard supply.



Once the train is installed, connect the gas valves group plug and the gas pressure switch one (on the valve group as well). Pay attention not to exchange them.

Electrical connections

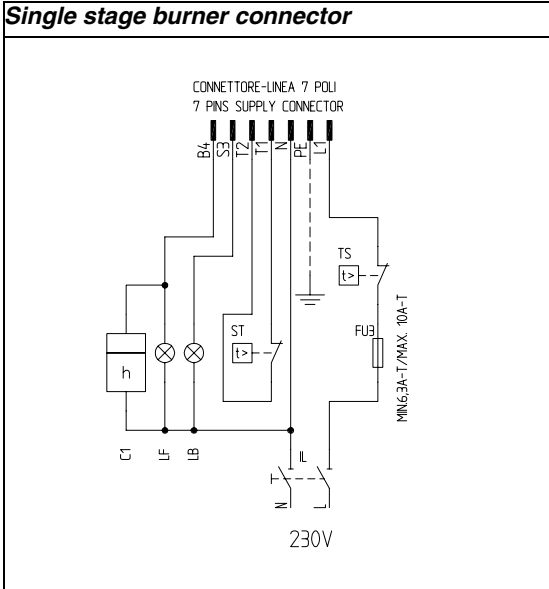
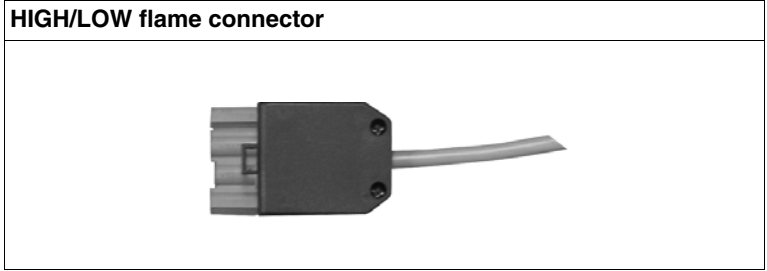
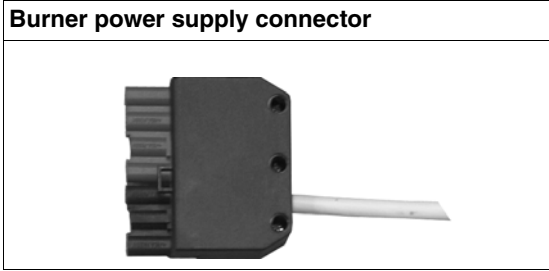
	ATTENTION: once the gas train is mounted according to the diagram, the gas proving test must be performed, according to the procedure set by the laws in force.
	Respect the basic safety rules. make sure of the connection to the earthing system. do not reverse the phase and neutral connections. fit a differential thermal magnet switch adequate for connection to the mains.
	ATTENTION: before executing the electrical connections, pay attention to turn the plant's switch to OFF and be sure that the burner's main switch is in 0 position (OFF) too. Read carefully the chapter "WARNINGS", and the "Electrical connections" section.
	WARNING: if the cable that connects the thermostats and the control box should be longer than 3 meters, insert a sectioning relay following the attached electrical wiring diagram..

To execute the electrical connections, proceed as follows:

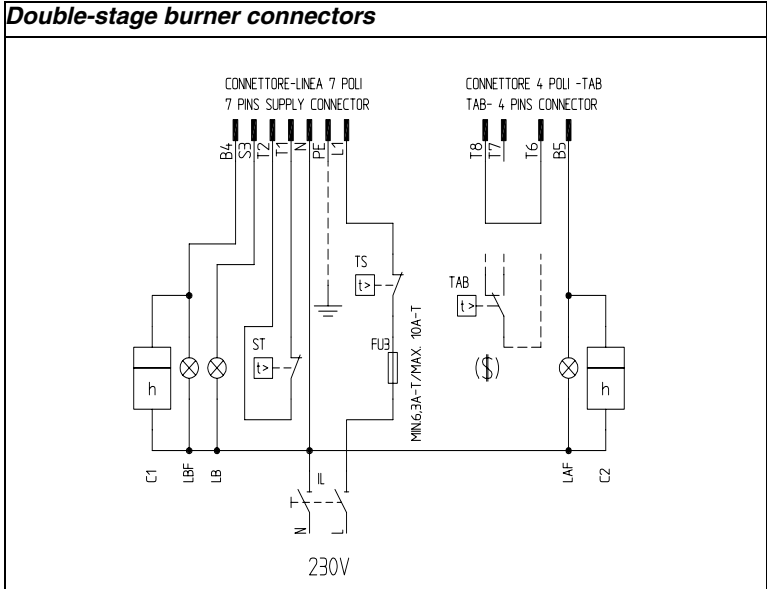
- 1 find the plug or the plugs, according to the model, that comes out from the burner:
 - 7 pins plug for power supply (all models)
 - 4 pins plug (for AB - double stage burners);
 - 7 pins plug (for MD - fully modulating burners);
- 2 execute the electrical connections to the plugs, according to the burner model (see next paragraph);
- 3 now the burner is ready to start up.

	.The burner is fitted with a bridge between terminals T6 and T8 on the 4-poles plug-TAB (external side link, male connector); if the TAB high/low flame thermostat must be connected, remove the bridge between terminals, before connecting the thermostat.
	IMPORTANT: before operating the burner, be sure all connectors are linked as indicated in the diagrams.

Connectors identification



7-pins connector



7-pins and 4-pins connectors

- Key**
- C1 LOW FLAME TIME METER
 - C2 HIGH FLAME TIME METER
 - FU1 FAN MOTOR LINE FUSE
 - FU3 LINE FUSE
 - IL BURNER LINE SWITCH
 - IM FAN MOTOR LINE SWITCH
 - KM1 FAN MOTOR CONTACTOR
 - LAF BURNER IN HIGH FLAME INDICATOR LIGHT
 - LB INDICATOR LIGHT FOR BURNER LOCK-OUT

- LBF BURNER IN LOW FLAME SIGNALLING LAMP
 - MV FAN MOTOR
 - ST THERMOSTATS O PRESSURE SWITCHES SERIE
 - TAB HIGH LOW FLAME THERMOSTAT/PRESSURE SWITCH
 - TS SAFETY THERMOSTAT/PRESSURE SWITCH
 - CONN-MOTORE FAN MOTOR CONNECTOR
 - CONN-LINEA BURNER POWER SUPPLY CONNNECTOR
 - CONN-TAB HIGH-LOW FLAME CONNECTOR
- (\$) IF "TAB" USED REMOVE THE BRIDGE BETWEEN TERMINALS T6-T8

● Fully-modulating burners connectors:

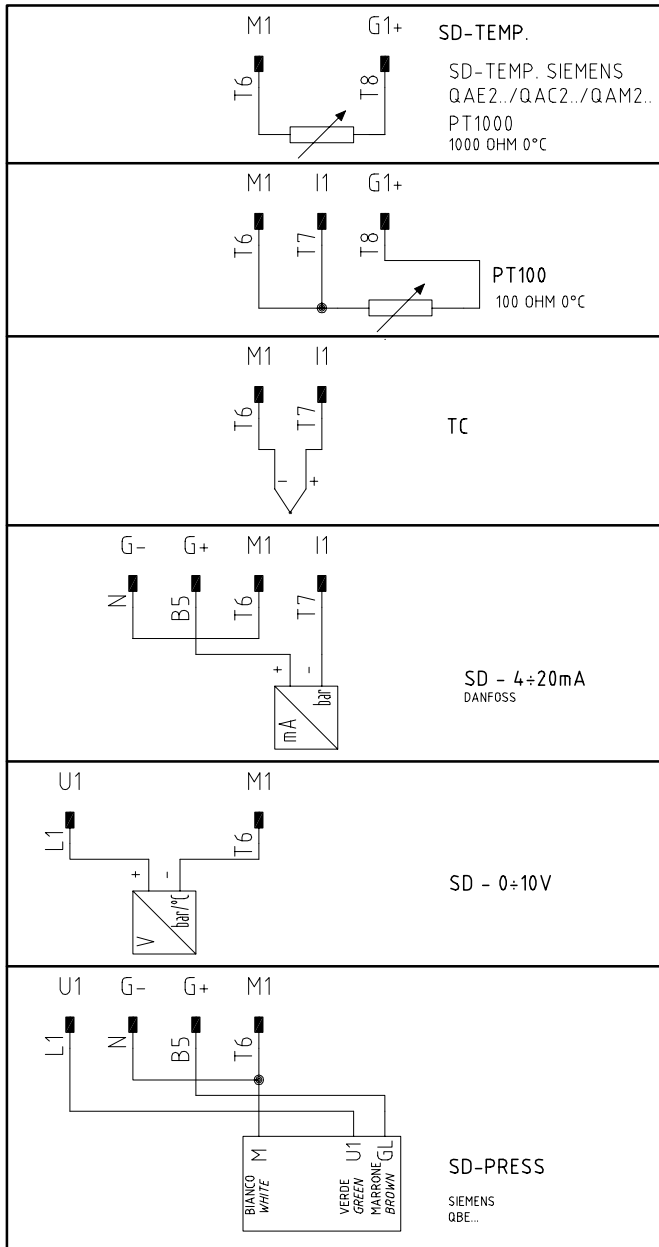


Fig. 7 - Probes connection by 7-pole connector

Key		LB	BURNER LOCKOUT SIGNALLING LAMP
C1	LOW FLAME TIME METER	LBF	BURNER IN LOW FLAME SIGNALLING LAMP
FU1	LINE FUSE FOR FAN MOTOR	MV	FAN MOTOR
FU3	LINE FUSE	SD-0±10V	VOLTAGE SIGNAL
FU4	AUXILIARY FUSE	SD-0/4±20mA	CURRENT SIGNAL
IL	BURNER LINE SWITCH	SD-PRESS	PRESSURE PROBE
IM	FAN MOTOR LINE SWITCH	SMA	MAN/AUTO SELECTOR
KM1	FAN MOTOR REMOTE CONTACTOR	SMF	OPERATION SELECTOR MIN-0-MAX
SIEMENS RWF40	MODULATION REGULATOR	ST	PRESSURE SWITCHES OR THERMOSTATS SERIE
		TS	SAFETY THERMOSTAT/PRESSURE SWITCH

Power supply without neutral

If the power supply to the burner is 230V phase-phase (without the neutral wire), with the Siemens LME.. control box, between the terminal 2 on the board and the earth terminal, an RC Siemens RC466890660 filter must be inserted.

Key

C - Capacitor (22nF/250V)

R - Resistor (1Mohm)

(***) RC466890660 - RC Siemens filter

(Code: 2531003)

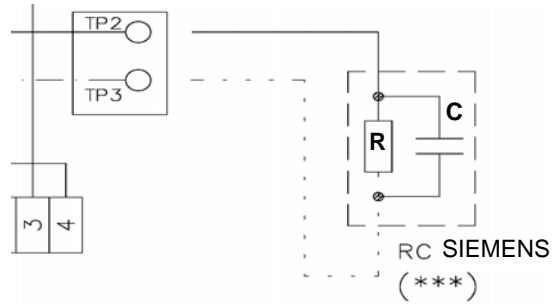
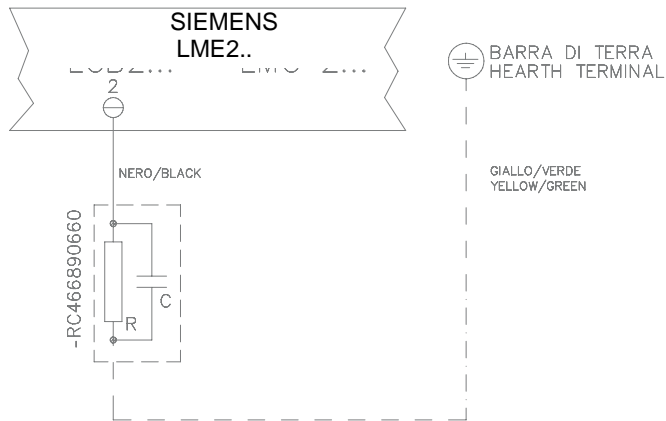


Fig. 9

As far as burners with no PCB provided, the RC Siemens circuit must be inserted between terminal 2 and the earth terminal of the Siemens LME.. control box.



ADJUSTING THE AIR AND GAS FLOW RATES

Combustion head pressure curves vs. the gas flow rate

Curves are referred to pressure= 0mbar in the combustion head!

The curves referred to the gas pressure in the combustion head, depending on the gas flow rate, are referred to the burner in the combustion stage (3% of residual O₂ in the flues and CO values in the limits set by law). During this stage, the combustion head, the gas butterfly valve and the servocontrol are at the maximum opening. Refer to Fig. 10, showing the correct way to measure the gas pressure, considering the values of pressure in combustion chamber, surveyed by means of the pressure gauge or taken from the boiler's Technical specifications.

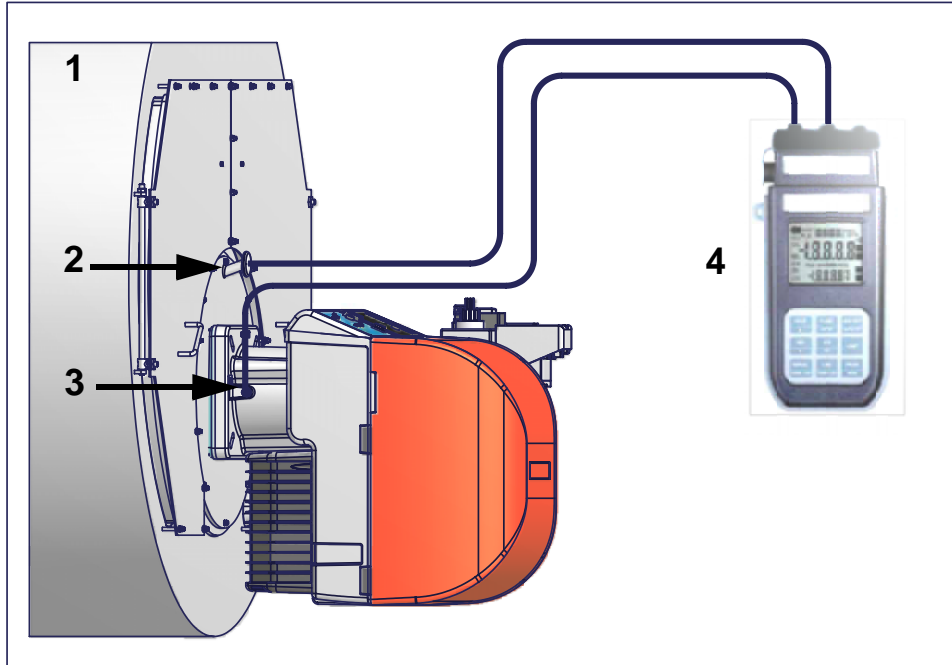


Fig. 10

Key

- 1 Boiler
- 2 Gas pressure outlet on the boiler
- 3 Gas pressure outlet on the butterfly valve
- 4 Differential pressure gauge

Measuring the gas pressure in the combustion head

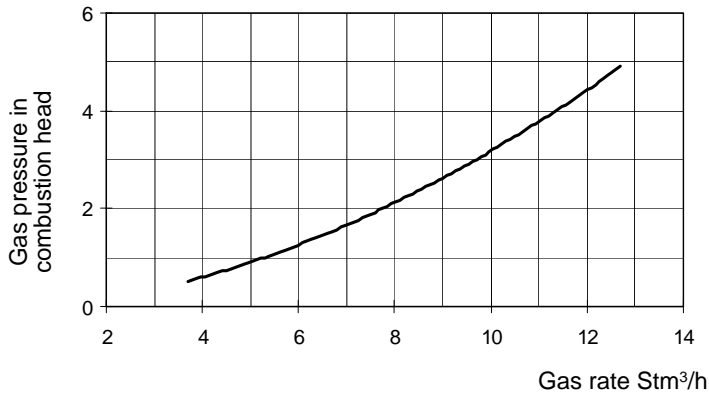
In order to measure the pressure in the combustion head, insert the pressure gauge probes: one into the boiler's pressure outlet (Fig. 10-2) to get the pressure in the combustion chamber and the other one into the butterfly valve's pressure outlet of the burner (Fig. 10-3). On the basis of the measured differential pressure, it is possible to get the maximum flow rate: in the pressure - rate curves (showed on the next paragraph), it is easy to get the burner output in kW or Stm³/h (quoted on the x axis) from the pressure measured in the combustion head (quoted on the y axis).

NOTE: THE PRESSURE-RATE CURVES ARE APPROXIMATE; FOR A PROPER SETTING OF THE GAS RATE, PLEASE REFER TO THE GAS METER READING.

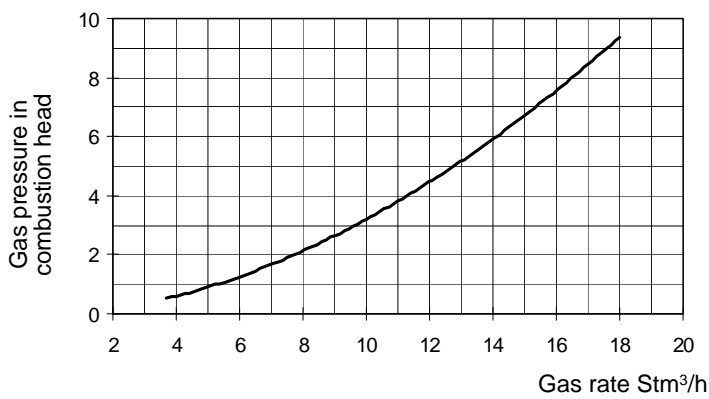
Pressure in combustion head - gas flow rate curves

Natural gas Burners

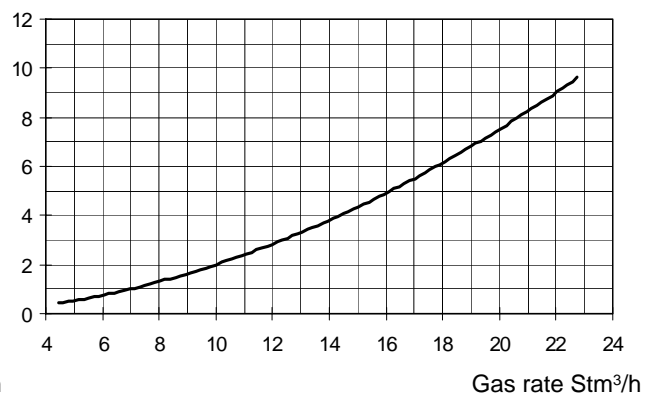
NG120



NG140

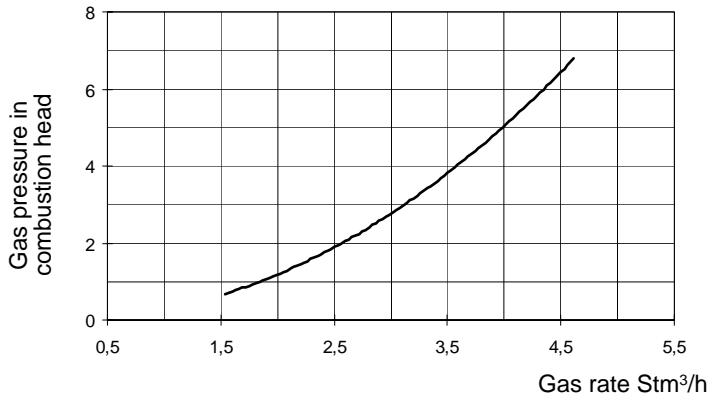


NG200

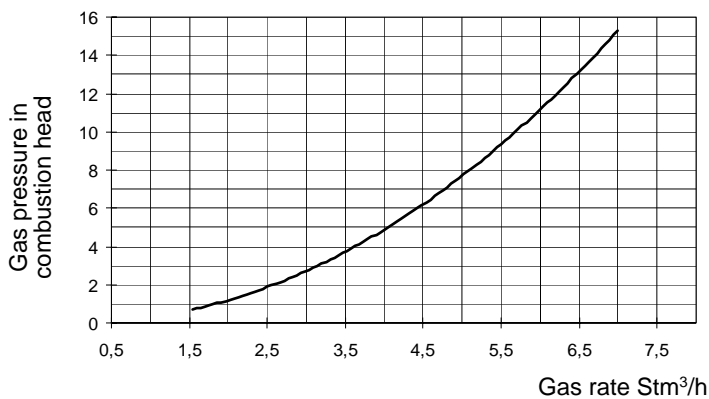


L.P.G. Burners

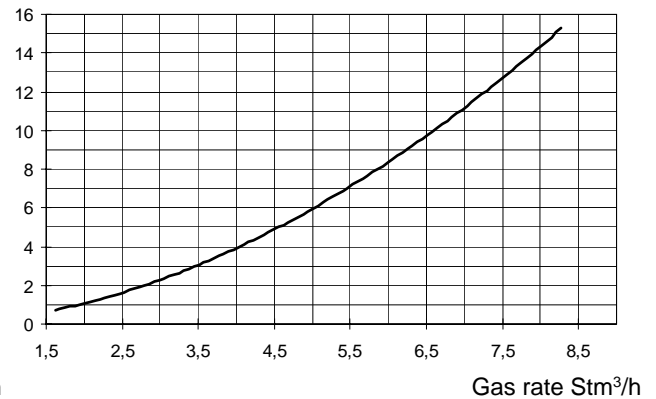
LG120



LG140

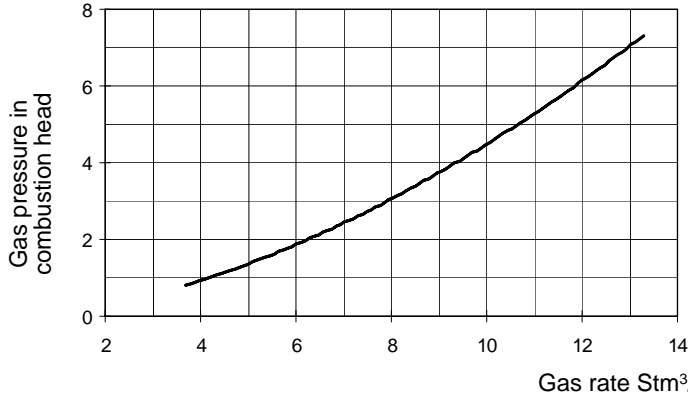


LG200

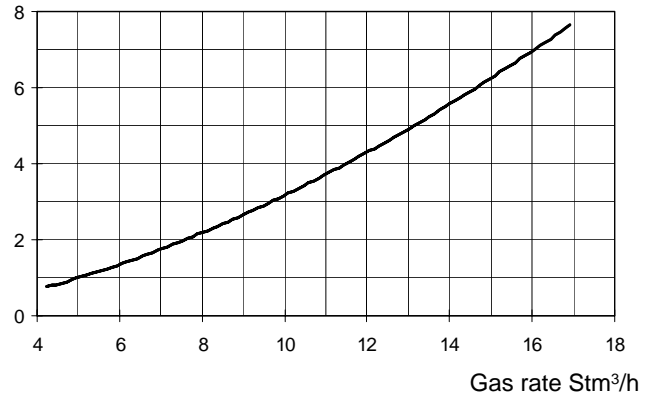


Low NOx burners

NGX120




NGX200




SETTING GAS AND AIR FLOW RATE

To perform the adjustments, unscrew the fixing screws and remove the burner cover.

	<p>ATTENTION: before starting the burner up, be sure that the manual cutoff valves are open and check that the pressure upstream the gas train complies the value quoted on paragraph “Technical specifications”. Be sure that the mains switch is closed.</p>
	<p>ATTENTION: During commissioning operations, do not let the burner operate with insufficient air flow (danger of formation of carbon monoxide); if this should happen, make the gas decrease slowly until the normal combustion values are achieved.</p>
	<p>WARNING: NEVER LOOSE THE SEALED SCREWS! OTHERWISE, THE DEVICE WARRANTY WILL BE IMMEDIATELY INVALIDATE!</p>

Startup Output

The start-up heat output shall not exceed 120 kW (single stage burners) or 1/3 of nominal output (double-stage, progressive or fully modulating burners). In order to comply with these requirements, burners are provided with butterfly valve and/or slow-opening safety valve. On double-stage, progressive or modulating burners, the low flame output must be higher than the minimum output quoted in the performance curve (page 12).

	<p>IMPORTANT! the combustion air excess must be adjusted according to the in the following chart:</p>
---	--

Recommended combustion parameters		
Fuel	Recommended (%) CO ₂	Recommended (%) O ₂
Natural gas	9 ÷ 10	3 ÷ 4.8
LPG	11 ÷ 12	2.8 ÷ 4.3

Adjustments - brief description

Adjust the air and gas flow rates at the maximum output (“high flame”) first, by means of the air damper and the adjusting cam respectively.

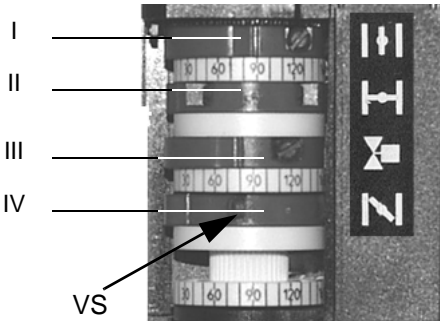
- Check that the combustion parameters are in the suggested limits.
- Check the flow rate measuring it on the counter or, if it was not possible, verifying the combustion head pressure by means of a differential pressure gauge, as described on par. see “Measuring the gas pressure in the combustion head” on page 21.
- Then, adjust the combustion values corresponding to the points between maximum and minimum: set the shape of the adjusting cam foil. The adjusting cam sets the air/gas ratio in those points, regulating the opening-closing of the throttle gas valve.
- Set, now, the low flame output, acting on the low flame microswitch of the actuator in order to avoid the low flame output increasing too much or that the flues temperature gets too low to cause condensation in the chimney.

To change the burner setting during the testing in the plant, follows the next procedure, according to the model provided.

Adjustment procedure

- 1 Before starting the burner up, drive the high flame actuator microswitch matching the low flame one (in order to let the burner operates at the lowest output) to safely achieve the high flame stage.
- 2 startup the burner by turning its main switch **A** to on: if the burner locks (LED **B** on in the control panel) press the RESET button (**C**) on the burner cover.
- 3 Start the burner up by means of the thermostat series and wait until the pre-purge time comes to an end and that the burner starts up;
- 4 drive the burner to high flame stage, by means fo the thermostat **TAB (except single-stage burners)**.
- 5 go on adjusting air and gas flow rates: check, continuously, the flue gas analisys, as to avoid combustion with little air; dose the air according to the gas flow rate change following the steps quoted below;
- 6 Then move progressively the microswitch to higher values until it reaches the high flame position; always check the combustion values and eventually adjusting the gas by means of the valves group stabiliser.

As for the setting, refer to the following chart. On this actuator, the manual control of the air damper is not provided; the setting of the cams is carried out working by a screwdriver on the **VS** screw placed internally to the cam.



BERGER STA4.5B0.3 - BERGER STA13B0.36	
High flame position (set to 90°)	I
Low flame and ignition position	IV
Stand-by position (set to 0°)	II
Not used	III

Berger STA4.5BO.37/6 - STA13B3.41

- 7 acting on the pressure stabiliser of the valves group, adjust the **gas flow rate in the high flame stage** (according to the burner model page 26-26) as to meet the values requested from the boiler/utilisation:

⚠ Pressure controller is provisionally factory-set. The setting values must be locally adjusted to machine conditions.

- 8 The burner is factory set with the combustion head at the position that refers to the "MAX" output. The maximum output setting refers to the "fully-ahead" position of the combustion head, as far as standard models (Fig. 12), and to "fully-backward" position for low NOx burners (Fig. 13). As for "fully-ahead" position, it means that the head is placed inside the boiler, "fully-backward" position means that the head is towards the operator. As far as the reduced output operation, progressively move the combustion head towards the "MIN" position, rotating clockwise the **VRT** screw (Fig. 11). The **ID** index shows how much the combustion head moved.

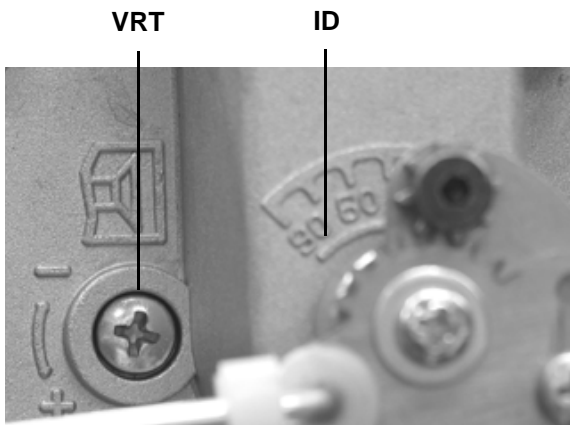


Fig. 11

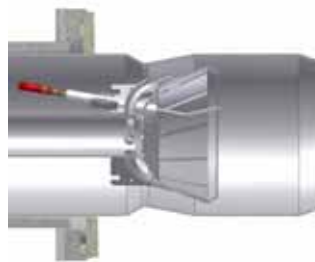


Fig. 12 - Head in "fully-ahead position"

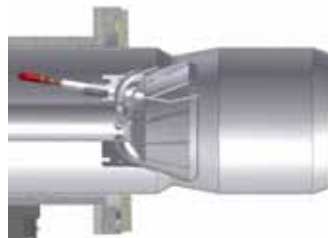


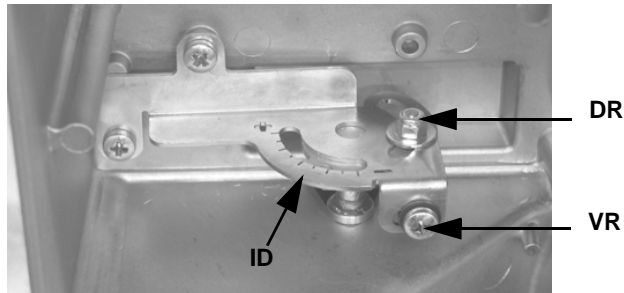
Fig. 13 - Head in "fully-backward position"

- 9 To adjust the air flow rate, proceed as follows, according to the burner operation (single-stage, double-stage, progressive or fully-modulating):
- 10 once the combustion head is adjusted, remove the actuator cover (except single-stage models) and set it to the ignition position, (ignition position= 0° on the air damper index **ID**);

Single stage burners

To execute the **air flow rate adjustment**, proceed as follows:

- 11 loosen **VR** screw (see picture below)
- 12 move the **ID** index along the graduated slot towards + or -, in order to increase or decrease the air flow-rate, according to the required combustion values; fasten the **VR** screw again.



Double stage, progressive and fully-modulating burners

- 13 The comburent air adjustment must be performed by means of the servocontrol. The servocontrol rotation must be equal to 90° (page 23). The air damper's opening in the high flame stage is imposed by the adjusting cam on Fig. 14. To adjust the air flow rate, slacken the nut **RA** (Fig. 14) and move the lever **VRA** through the slot as shown in Fig. 14, to increase or decrease the air rate, until the desired rate is obtained; lock then the nut **RA** in this position.
- 14 Drive the burner to the low flame operation, by the **TAB** boiler thermostat.
- 15 To eventually change the gas flow rate, slacken the screw **V1** (Fig. 94) and set the opening angle of the butterfly valve rotating the round plate **C** by means of the screw **V3** (turn clockwise to decrease the gas rate or counterclockwise to increase it). The index **S** shows the opening angle.

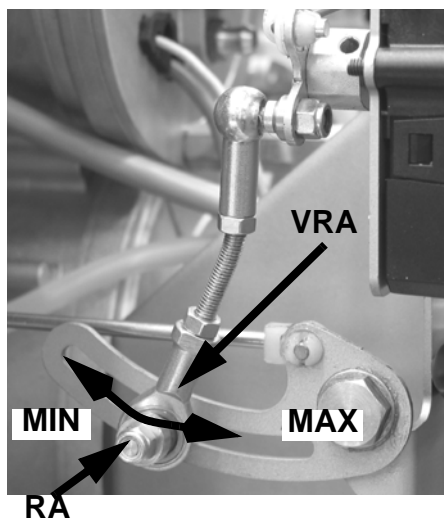


Fig. 14

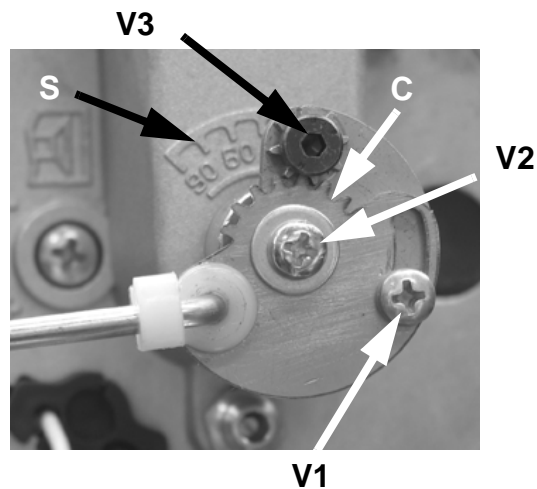


Fig. 15

Fully modulating burners

To set the air flow rate in the low flame stage and in the middle points, proceed as follows (see also pag. 27).

- 1 Press the **EXIT** key for 5 seconds on the modulator (pag. 30): when the LED (with the printed hand), press the arrow key to progressively move the actuator to the maximum opening position;
- 2 stop the stroke every time it reaches each screw **V**: to set the air rate, act on the screw that matches the bearing.
- 3 Press the **EXIT** key to get out of the manual mode.

Adjusting the gas valves group fo single-stage and double-stage burners

Multibloc MB-DLE

The multibloc unit is a compact unit consisting of two valves, gas pressure switch, pressure stabilizer and gas filter.

The valve is adjusted by means of the **RP** regulator after slackening the locking screw **VB** by a number of turns. By unscrewing the regulator **RP** the valve opens, screwing the valve closes. To set the fast opening remove cover **T**, reverse it upside down and use it as a tool to rotate screw **VR**. Clockwise rotation reduces start flow rate, anticlockwise rotation increases it.

Do not use a screwdriver on the screw **VR**!

The pressure stabilizer is adjusted by operating the screw **VS** located under the cover **C**. By screwing down the pressure is increased and by unscrewing it is reduced.

Note: the screw **VSB** must be removed only in case of replacement of the coil.

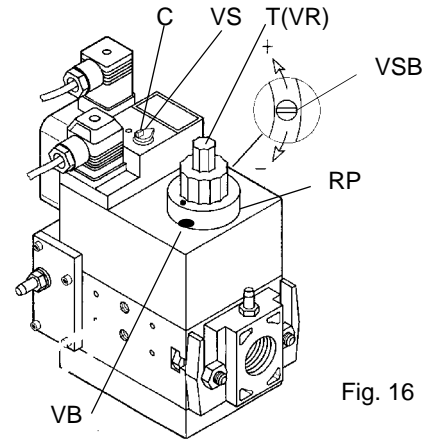


Fig. 16

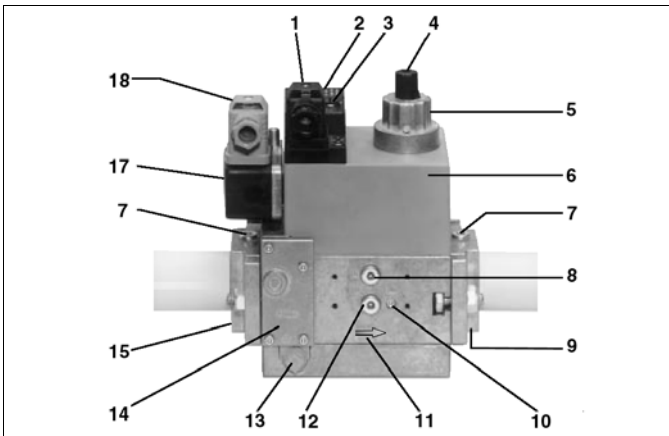


Fig. 17

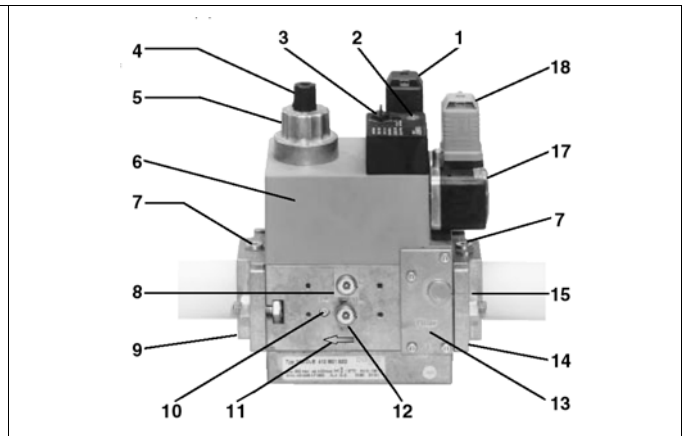


Fig. 18

Key

- | | |
|--|---|
| 1 Electrical connection for valves | 9 Output flange |
| 2 Operation display (optional) | 10 Test point connection M4 downstream of valve 2 |
| 3 Pressure governor closing tap | 11 Gas flow direction |
| 4 Start setting cap | 12 Test connection G 1/8 downstream of valve 1, on both sides |
| 5 Hydraulic brake and rate regulator | 13 Vent nozzle pressure regulator |
| 6 Coil | 14 Filter (below cover) |
| 7 Test point connection G 1/8 | 15 Input flange |
| 8 Test point connection G 1/8 downstream of valve 1, on both sides | 17 Pressure switch |
| | 18 Pressure switch electric connection |

Progressive, fully-modulating burner adjustments

Progressive and fully-modulating burners are provided with the combination control KROM-SCHROEDER CG2.

Use a 2.5mm allen key to perform all the adjustments: do not use force!

The pressure switch is factory-set to 14 mbar as delivered. As far as the next adjustment see "Adjusting the air and gas pressure switches" on page 29)

Transmission ratio **V** (see pictures Fig. 19 - Fig. 20)

gas : air = 3:1

Zero point **N** = 0.

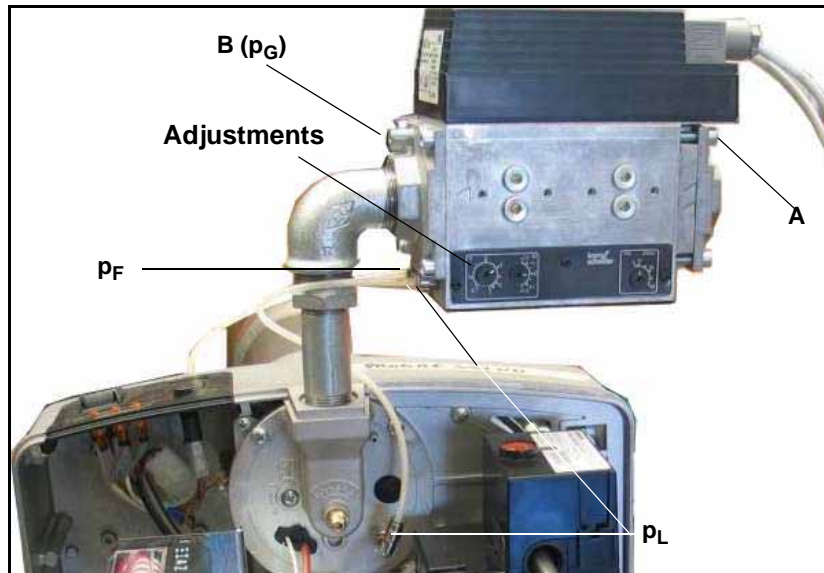


Fig. 19

- 1 Start burner with low fire: if the burner does not start, turn **N** (see picture Fig. 20) slightly in the direction + and repeat the start.
- 2 Test gas pressure p_G at **B** (see picture Fig. 19).
- 3 Test air pressure p_L (see picture Fig. 19) at the burner and adjust the gas pressure at **N** according to the specifications of the burner manufacturer.
- 4 Set the burner gradually to high fire and adjust the gas pressure at **V** (see picture Fig. 20) in accordance with the boiler input.
- 5 Set the air rate by means of the actuator: open the air damper until the required flow rate is achieved.



Fig. 20

Low flame adjustment

- 6 Set burner to low fire.
- 7 Carry out the flue gas analysis and set the gas pressure to the desired analysis values at the **N** port.
- 8 Set the burner to high fire and set the gas pressure to the desired analysis value at the **V** port.
- 9 Repeat analysis with low and high fire; if necessary, correct **N** and **V** (see picture Fig. 20) .
- 10 Finely adjust the gas pressure switch (see related paragraph).
- 11 Block all test points .

Do not block connection p_F if not used (see picture Fig. 19).

Note: air pressure p_L minus combustion chamber pressure p_F must be at least 0.4 mbar!

V = Do not set transmission ratio to high! The gas pressure at **B** is smaller than the gas pressure at **A** (see picture Fig. 19) minus the pressure drop of the combination control.

In order to avoid the governor vibrating, keep the pressure loss across the governor as small as possible by means of a low inlet pressure or by fitting an orifice module, an adjusting valve or the like between CG ... V and burner. Setting **V** to 2 or larger will dampen the vibrations.

Testing the adjustability

- 1 Set burner to high fire.
- 2 Measure the gas pressure at **A** and **B** (see picture Fig. 19).
- 3 Slowly close the manual valve upstream of the combination control until the gas inlet pressure at **A** drops by 2 mbar (town gas 1 mbar).
- 4 The gas outlet pressure at **B** must not drop by more than 0.5 mbar. Otherwise, check and correct the setting or the choice of device.
- 5 If the adjustability is insufficient, the installation must not be operated.
- 6 Reopen the manual valve.

Gas Proving System VPS504 (Option)

The VPS504 check the operation of the seal of the gas shut off valves. This check, carried out as soon as the boiler thermostat gives a start signal to the burner, creates, by means of the diaphragm pump inside it, a pressure in the test space of 20 mbar higher than the supply pressure.

To install the DUNGS VPS504 gas proving system on the MD-DLE valves group, proceed as follows:

- 1 turn off gas supply.;
- 2 Switch off power supply.
- 3 remove the Multibloc's screw plugs (Fig. 21-A);
- 4 insert sealing rings (10,5 x 2,25) into VPS 504 (Fig. 22-B, Fig. 21-B)
- 5 Torque screws 3, 4, 5, 6 (M4 x16) Fig. 21-C

Only use screws with metric thread on reassembly (modification, repair).

- 6 On completion of work, perform a leak and functional test.

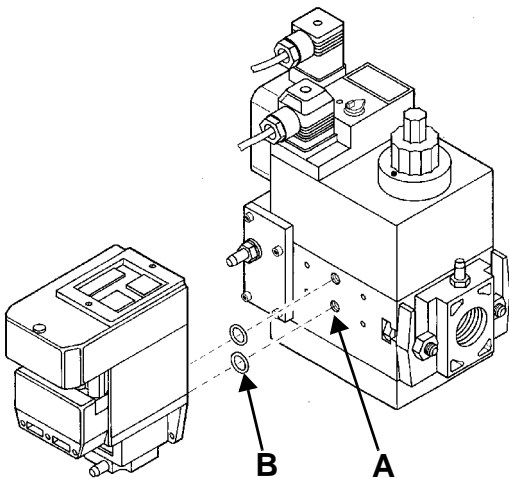


Fig. 21

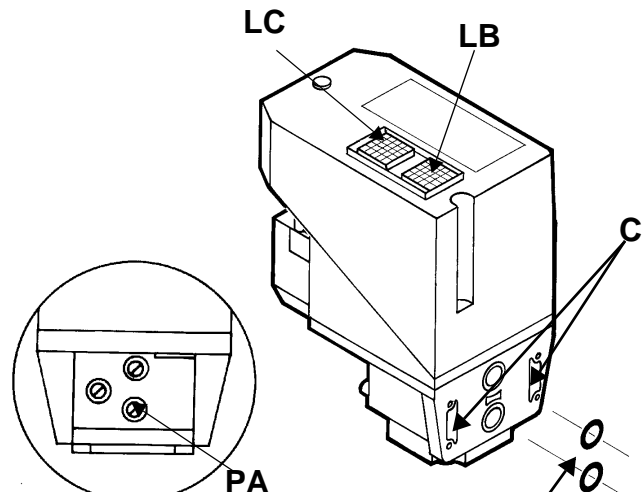


Fig. 22

When wishing to monitor the test, install a pressure gauge ranged to that of the pressure supply point **PA** (Fig. 22). If the test cycle is satisfactory, after a few seconds the consent light **LC** (yellow) comes on. In the opposite case the lockout light **LB** (red) comes on. To restart it is necessary to reset the appliance by pressing the illuminated pushbutton **LB**.

Adjusting the air and gas pressure switches

The **air pressure switch** locks the control box if the air pressure is not the one requested. If it happens, unlock the burner by means of the control box unlock pushbutton, placed on the burner control panel.

The **gas pressure switches** check the pressure to avoid the burner operate when the pressure value is not in the requested pressure range.

Adjusting the air pressure switch

To calibrate the air pressure switch, proceed as follows:

- Remove the transparent plastic cap.
- Once air and gas setting have been accomplished, startup the burner.
- During the pre-purge phase of the operation, turn slowly the adjusting ring nut **VR** in the clockwise direction until the burner lockout, then read the value on the pressure switch scale and set it to a value reduced by 15%.
- Repeat the ignition cycle of the burner and check it runs properly.
- Refit the transparent plastic cover on the pressure switch.

Calibration of minimum gas pressure switch

As for the gas pressure switch calibration, proceed as follows:

- Be sure that the filter is clean.
- Remove the transparent plastic cap.
- While the burner is operating at the maximum output, test the gas pressure on the pressure port of the minimum gas pressure switch.
- Slowly close the manual cutoff valve (placed upstream the pressure switch, see gas train installation diagram), until the detected pressure is reduced by 50%. Pay attention that the CO value in the flue gas does not increase: if the CO values are higher than the limits laid down by law, slowly open the cutoff valve as to get values lower than these limits.
- Check that the burner is operating correctly.
- Clockwise turn the pressure switch adjusting ring nut (as to increase the pressure value) until the burner stops.
- Slowly fully open the manual cutoff valve.
- Refit the transparent plastic cover on the pressure switch.



PART II: OPERATION

LIMITATIONS OF USE

THE BURNER IS AN APPLIANCE DESIGNED AND CONSTRUCTED TO OPERATE ONLY AFTER BEING CORRECTLY CONNECTED TO A HEAT GENERATOR (E.G. BOILER, HOT AIR GENERATOR, FURNACE, ETC.), ANY OTHER USE IS TO BE CONSIDERED IMPROPER AND THEREFORE DANGEROUS.

THE USER MUST GUARANTEE THE CORRECT FITTING OF THE APPLIANCE, ENTRUSTING THE INSTALLATION OF IT TO QUALIFIED PERSONNEL AND HAVING THE FIRST COMMISSIONING OF IT CARRIED OUT BY A SERVICE CENTRE AUTHORIZED BY THE COMPANY MANUFACTURING THE BURNER.

A FUNDAMENTAL FACTOR IN THIS RESPECT IS THE ELECTRICAL CONNECTION TO THE GENERATOR'S CONTROL AND SAFETY UNITS (CONTROL THERMOSTAT, SAFETY, ETC.) WHICH GUARANTEES CORRECT AND SAFE FUNCTIONING OF THE BURNER.

THEREFORE, ANY OPERATION OF THE APPLIANCE MUST BE PREVENTED WHICH DEPARTS FROM THE INSTALLATION OPERATIONS OR WHICH HAPPENS AFTER TOTAL OR PARTIAL TAMPERING WITH THESE (E.G. DISCONNECTION, EVEN PARTIAL, OF THE ELECTRICAL LEADS, OPENING THE GENERATOR DOOR, DISMANTLING OF PART OF THE BURNER).

NEVER OPEN OR DISMANTLE ANY COMPONENT OF THE MACHINE.

OPERATE ONLY THE MAIN SWITCH, WHICH THROUGH ITS EASY ACCESSIBILITY AND RAPIDITY OF OPERATION ALSO FUNCTIONS AS AN EMERGENCY SWITCH, AND ON THE RESET BUTTON.

IN CASE OF A BURNER SHUT-DOWN, RESET THE CONTROL BOX BY MEANS OF THE RESET PUSHBUTTON. IF A SECOND SHUT-DOWN TAKES PLACE, CALL THE TECHNICAL SERVICE, WITHOUT TRYING TO RESET FURTHER.

WARNING: DURING NORMAL OPERATION THE PARTS OF THE BURNER NEAREST TO THE GENERATOR (COUPLING FLANGE) CAN BECOME VERY HOT, AVOID TOUCHING THEM SO AS NOT TO GET BURNT.

OPERATION



BEFORE STARTING UP THE BURNER, BE SURE THAT THE MAIN SWITCH IS ON AND THE MANUAL SHUTOFF VALVES ARE OPEN. CAREFULLY READ THE WARNINGS IN THIS MANUAL.

- Startup the burner by the boiler master power switch;
- as for double-stage models, turn the burner main switch **A** to On;
- make sure that the control box has not shut down and reset if necessary by means of the reset button **R** by pressing the clear rubber seal on the burner cover;
- make sure that the set of thermostats (or pressure-switches) triggers burner operation (in double-stage models **L1** LED lights on)
- the burner starting cycle begins: the control box switches on the burner fan;
- at the end of the pre-purge time, the ignition transformer switches (in double-stage models **LT** LED lights on); few seconds later the solenoid valve is powered and the burner starts up;
- the ignition transformer stays on for a few seconds after the ignition of the flame (post-ignition time) and at the end of this time it is switched off.

Double-stage burners: after the start-up, the burner remains in the low flame operation (in double-stage models, **L1** on) or switches to the high flame stage (in double-stage models, **L2** on), according to the plant needs.



Double-stage, progressive and fully-modulating (with RWF40 burner control) models

PART III: MAINTENANCE

At least once a year carry out the maintenance operations listed below. In the case of seasonal servicing, it is recommended to carry out the maintenance at the end of each heating season; in the case of continuous operation the maintenance is carried out every 6 months.



WARNING: ALL OPERATIONS ON THE BURNER MUST BE CARRIED OUT WITH THE MAINS DISCONNECTED AND THE FUEL MANUAL CUTOFF VALVES CLOSED!

ATTENTION: READ CAREFULLY THE "WARNINGS" CHAPTER AT THE BEGINNING OF THIS MANUAL.

ROUTINE MAINTENANCE

- Clean and examining the gas filter cartridge, if necessary replace it (Fig. 23 on).
- Removal, examination and cleaning of the combustion head (see Fig. 30 on).
- Check the ignition and detection electrodes, clean and adjust if necessary (see page 34). In case of doubt, check the detection current according to the schemes in page 35.
- Cleaning and greasing of sliding and rotating parts.

⚠ ATTENTION: when servicing, if it was necessary to disassemble the gas train parts, remember to execute the gas proving test, once the gas train is reassembled, according to the procedure imposed by the law in force.

Removing the filter in the *MULTIBLOC DUNGS MB-DLE 405..412*

- Check the filter at least once a year!
- Change the filter if the pressure difference between pressure connection 1 and 3 (Fig. 23-Fig. 24) is $\Delta p > 10$ mbar.
- Change the filter if the pressure difference between pressure connection 1 and 3 (Fig. 23-Fig. 24) is twice as high compared to the last check.

You can change the filter without removing the fitting.

- 1 Interrupt the gas supply closing the on-off valve.
- 2 Remove screws 1 ÷ 4 using the Allen key n. 3 and remove filter cover 5 in Fig. 25.
- 3 Remove the filter 6 and replace with a new one.
- 4 Replace filter cover 5 and tighten screws 1 ÷ 4 without using any force and fasten.
- 5 Perform leakage and functional test, $p_{max.} = 360$ mbar.

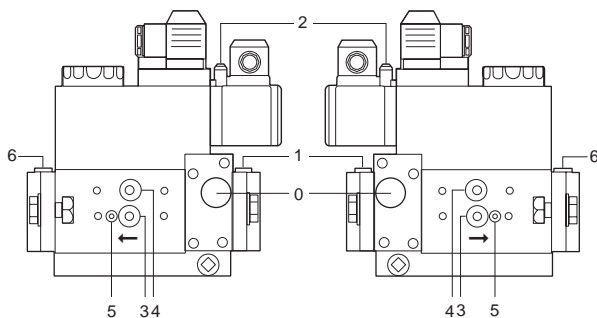


Fig. 23

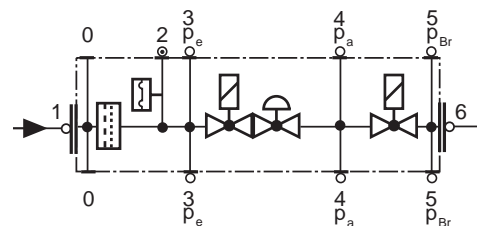


Fig. 24

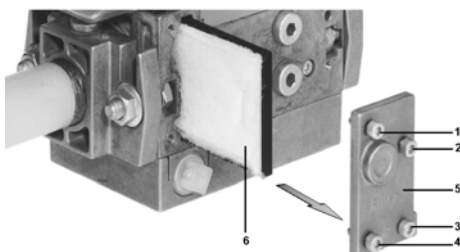


Fig. 25

Removing the filter in the MULTIBLOC DUNGS MB-DLE 415 - 420 B01 1" 1/2 - 2"

- Check the filter at least once a year!
- Change the filter if the pressure difference between pressure connection 1 and 2 (Fig. 26-Fig. 27) $\Delta p > 10$ mbar.
- Change the filter if the pressure difference between pressure connection 1 and 2 (Fig. 26-Fig. 27) is twice as high compared to the last check.

You can change the filter without removing the fitting.

- 1 Interrupt the gas supply closing the on-off valve.
- 2 Remove screws 1 ÷ 6 (Fig. 28).
- 3 Change filter insert.
- 4 Re-insert filter housing, screw in screws 1 ÷ 6 without using any force and fasten.
- 5 Perform leakage and functional test, $p_{max.} = 360$ mbar.

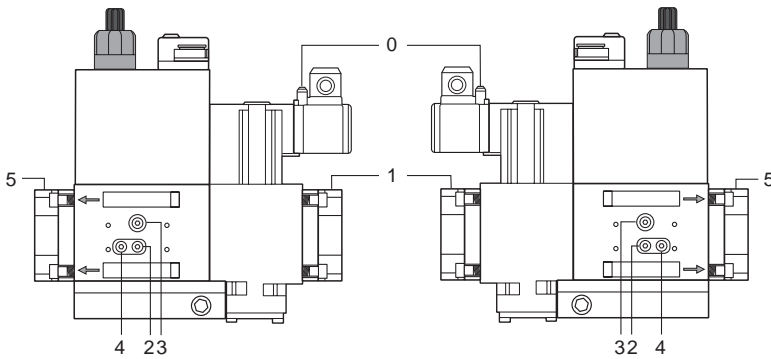


Fig. 26

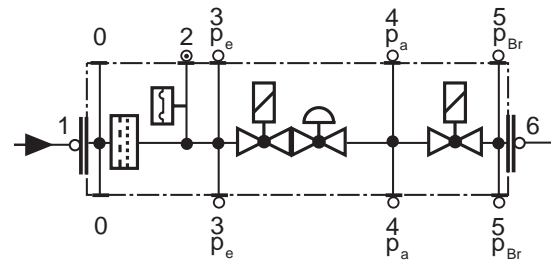


Fig. 27

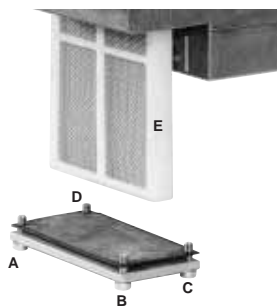


Fig. 28

Cleaning or replacing the Krom-Scroeder CG2 25 V valve filter

Once a year check the valve filter:

- 1 close manual valve
- 2 Loosen all 4 screws (1 in Fig. 29); unscrew two of them depending on the room available and pull out filter unit (2 in Fig. 29)
- 3 Clean or replace filter pad and strainer and refit.
- 4 Check connection flanges for tightness. Soap sealings.

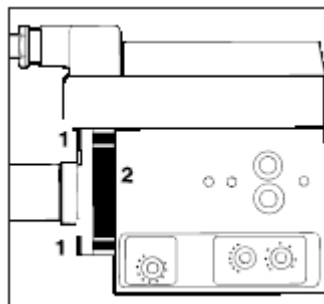


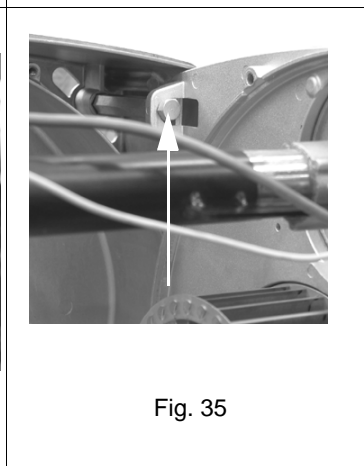
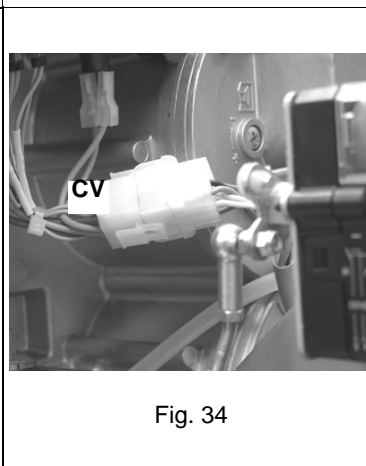
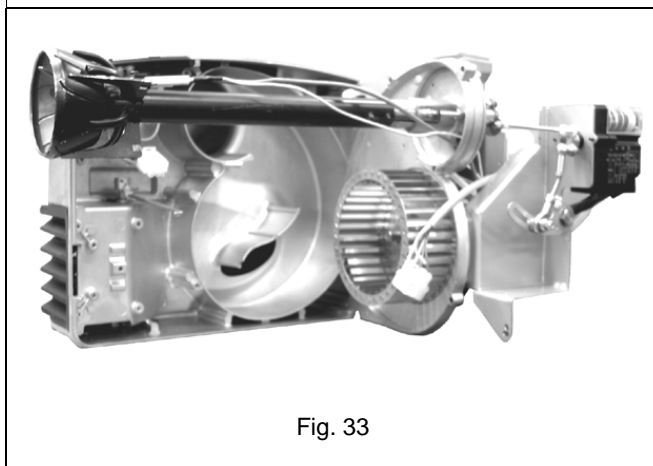
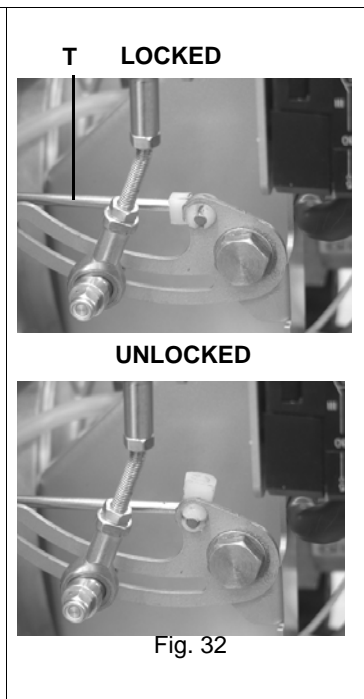
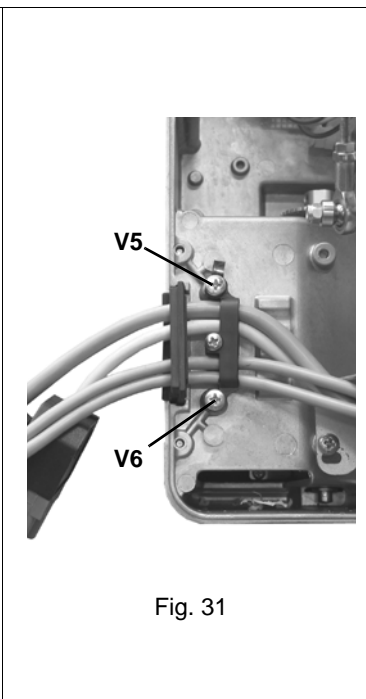
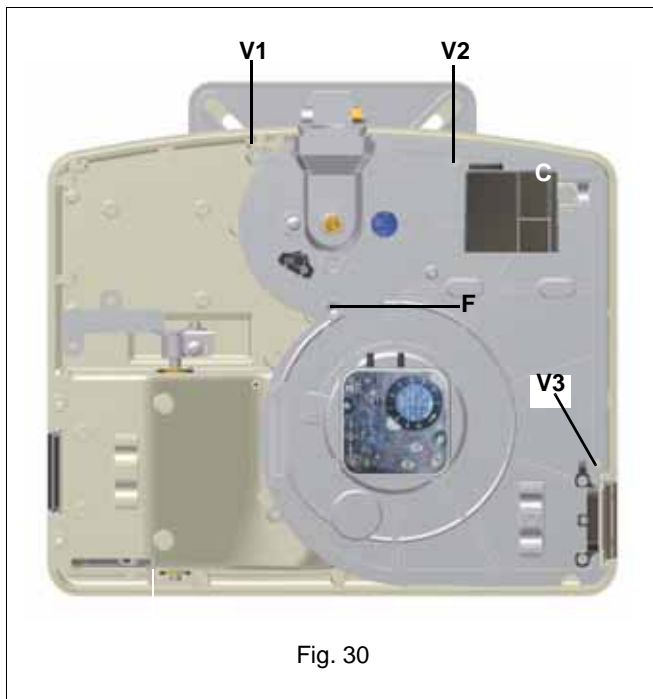
Fig. 29

Disassembling the burner plate to service the burner fan

Before proceeding to maintenance/replacing operations, follow the next procedure:

- 1 remove the component plate "C" by unscrewing the V1, V2, V3, V4 screws and the "F" securing pin (Fig. 30);
- 2 remove the rubber cable holder by unscrewing V5 and V6 in Fig. 31;
- 3 free rod T (see Fig. 32);
- 4 disconnect the connector CV, Fig. 34;
- 5 place the plate in one of the ways showed in order to facilitate maintenance operations.

⚠ NOTE: When re-assembling the component plate, make sure that the pin for the air damper "P" enters its housing "B" (see figure).

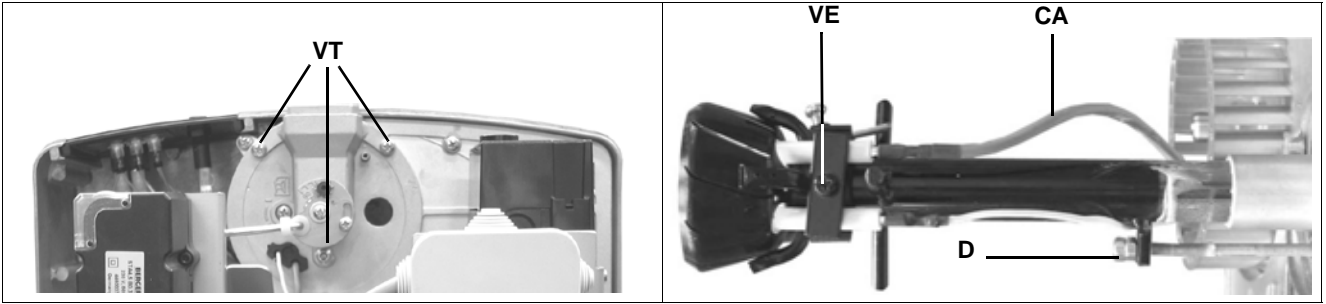


Removing the combustion head

ATTENTION: avoid the ignition and detection electrodes to get in touch with metallic parts (blast tube, head, etc.), otherwise the boiler's operation would be compromised. Check the electrodes position after any intervention on the combustion head. The gap between the ignition electrode and the ground is 4±5 mm.

After the disassembling the burner plate, the combustion head can be removed as follows:

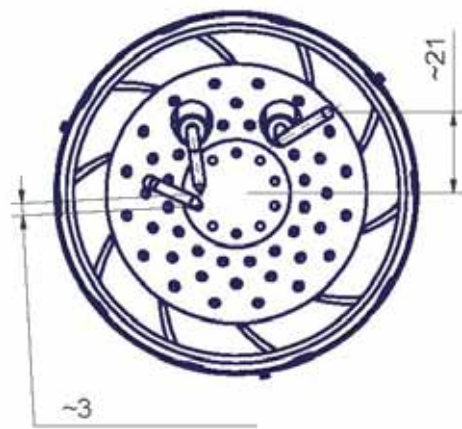
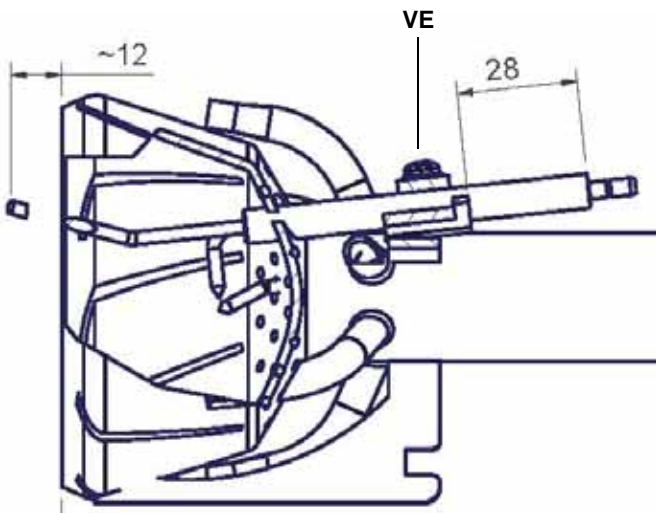
- 1 unscrew the fixing screw **VT**;
- 2 disconnect the ignition cable **CA**; unscrew the fixing nuts **D** and remove the combustion head from its housing;
- 3 adjust the electrodes; to replace them, if necessary, disconnect the cables and unscrew **VE**;
- 4 remove the electrodes and replace them
- 5 clean the combustion head by means of a vacuum cleaner; use a metallic brush to scrape off the scale;
- 6 reassemble all the items in the reversed order, observing the electrodes position (see next paragraph).



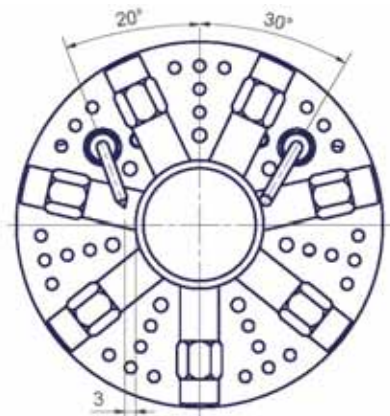
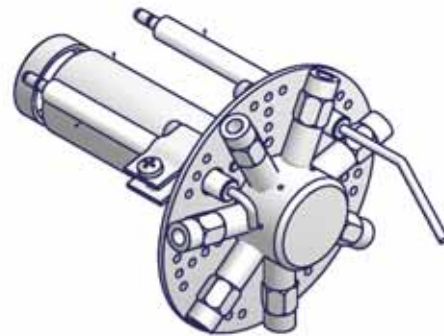
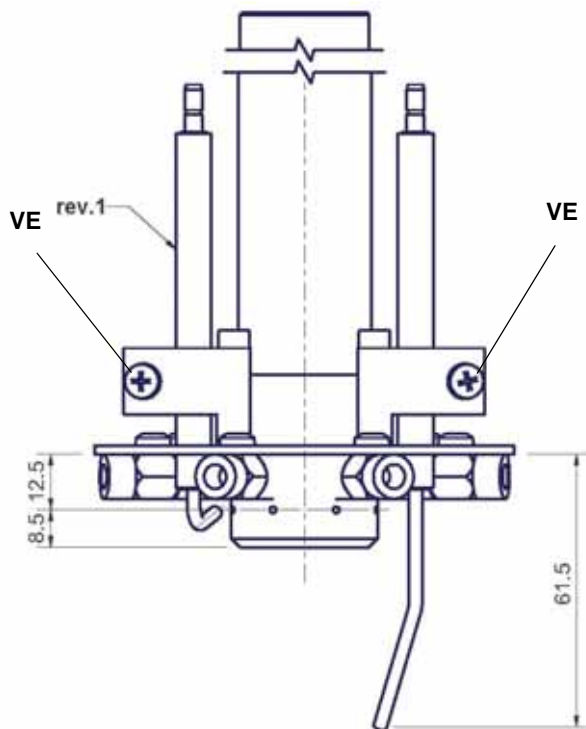
Correct electrodes positioning

To get a good ignition, it is necessary to observe the measures showed in the next pictures. Be sure to fasten the electrodes fixing screw **VE**, before reassembling the burner.

Standard burners

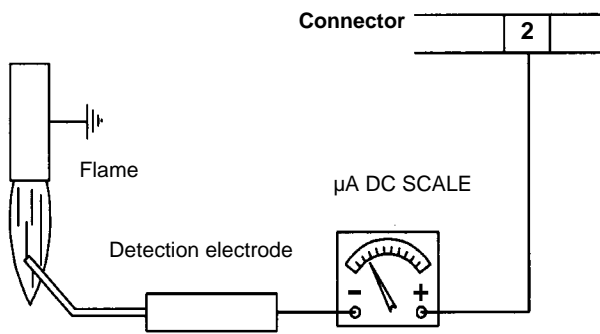


Low NOx burners



Checking the detection current

If the burner locks, execute the following inspections. To measure the detection signals refer to the diagrams in the following picture. If the signal is less than the value shown, check the position of the detection electrode, the electrical contacts and if necessary replace the detection electrode.



Control box	Minimum detection signal
Siemens LME21-22	3 µA

Seasonal stop

To stop the burner in the seasonal stop, proceed as follows:

- 1 turn the burner's main switch to 0 (Off position)
- 2 disconnect the power mains
- 3 close the fuel cock of the supply line

Burner disposal

In case of disposal, follow the instructions according to the laws in force in your country about the "Disposal of materials".

TROUBLESHOOTING

CAUSE	TROUBLE											
	THE BURNER DOESN'T START	CONTINUE WITH PRE-PURGE	DOESN'T START AND LOCK-OUT	DOESN'T START AND REPEATS THE CYCLE	STARTS AND REPEATS THE CYCLE	STARTS AND LOCK-OUT	THE FLAME MONITOR DEVICE DOESN'T GIVE CONSENT TO START	DOESN'T SWITCH TO HIGH FLAME	DOESN'T RETURN IN LOW FLAME	THE SERVO CONTROL IS LOCK AND VIBRATE	LOCK-OUT DURING OPERATION	URNS OF AND REPEATS CYCLE DURING OPERATION
MAIN SWITCH OPEN	●											
LACK OF GAS	●			●								
MAXIMUM GAS PRESSURE SWITCH DEFECTIVE (IF PROVIDED)	●		●									
THERMOSTATS/PRESSURE SWITCHES DEFECTIVE	●			●								●
OVERLOAD TRIPPED INTERVENTION	●											
AUXILIARIES FUSE INTERRUPTED	●											
CONTROL BOX FAULTY	●	●	●			●					●	
DEFECTIVE SERVOCONTROL (IF PROVIDED)	●	●	●				▲					
AIR PRESSURE SWITCH FAULT OR BAD SETTING	●					●	●				●	
MINIMUM GAS PRESSURE SWITCH DEFECTIVE OR GAS FILTER DIRTY	●			●	●		●					●
IGNITION TRANSFORMER FAULT			●									
IGNITION ELECTRODES BAD POSITION			●									
DETECTION ELECTRODE BAD POSITION						●					●	
BUTTERFLY VALVE BAD SETTING			●			●						
DEFECTIVE GAS GOVERNOR			●	●	●							●
GAS VALVE DEFECTIVE			●									
BAD CONNECTION OR DEFECTIVE HIGH/LOW FLAME THERMOSTAT OR PRESSURE SWITCH (IF PROVIDED)							▲	●	●	▲		
WRONG SETTING SERVO CONTROL CAM							●	●	●			
UV PROBE DIRTY OR DEFECTIVE (IF PROVIDED)			●			●					●	
PHASE-NEUTRAL INVERTED						▲						
PHASE-PHASE SUPPLY OR PRESENCE OF VOLTAGE ON THE NEUTRAL CONDUCTOR(*)						▲						

● = with any control box;

▲ = with only LGB2../LMG2../LME11/LME2..

(*) In such cases, insert the circuit SIEMENS "RC466890660" (See chapter "Electrical connections").

SPARE PARTS

Description	Code		
	LG/NG120	LG/NG140	LG/NG200
COVER	1011807	1011807	1011807
CONTROL BOX (one-stage regulation)	2020466	2020467	2020467
CONTROL BOX (double-stage regulation)	-	2020468	2020468
DETECTION ELECTRODE	2080108	2080108	2080108
GROUND ELECTRODE	2080234	2080234	2080234
IGNITION ELECTRODE	2080218	2080218	2080218
GASKET	2110031	2110031	2110031
FAN WHEEL	2150077	2150077	2150070
AIR PRESSURE SWITCH	2160053	2160053	2160053
DANFOSS TRANSFORMER	2170233	2170233	2170233
COFI TRANSFORMER	2170138	2170138	2170138
MOTOR mod. AACO	2180296	2180296	2180296
MOTOR mod. AEG	2180715	2180715	2180715
VALVE GROUP DUNGS MB-DLE 405 (1/2")	2190339	-	-
VALVE GROUP DUNGS MB-DLE 407 (3/4")	-	2190340	2190340
VALVE GROUP DUNGS MB-DLE 410 (1")	-	2190341	2190341
VALVE GROUP KROM-SCROEDER CG2..V (1")	-	2190262	2190262
GAS PROVING SYSTEM (option)	2191604	2191604	2191604
ACTUATORE (double-stage models only)	-	2480057	2480057
BLAST TUBE (S*)	30900H4	30900H4	30900H6
BLAST TUBE (L*)	30900H5	30900H5	30900H7
COMBUSTION HEAD (natural gas) (S*)	30600M0	30600M0	30600M2
COMBUSTION HEAD (natural gas) (L*)	30600M1	30600M1	30600M3
COMBUSTION HEAD (L.P.G.)(S*)	30600M4	30600M4	30600M2
COMBUSTION HEAD (L.P.G.) (L*)	30600M5	30600M5	30600M3
COMBUSTION HEAD WITH ELECTRODES (S*)	3501847	3501847	3501849
COMBUSTION HEAD WITH ELECTRODES (L*)	3501848	3501848	3501850
COMBUSTION HEAD WITH ELECTRODES (L.P.G.) (S*)	3501857	3501857	3501859
COMBUSTION HEAD WITH ELECTRODES (L.P.G.) (L*)	3501858	3501858	3501860
IGNITION CABLE	6050154	6050154	6050154
DETECTION CABLE	6050211	6050211	6050211

- Other spare parts for Low NOx series

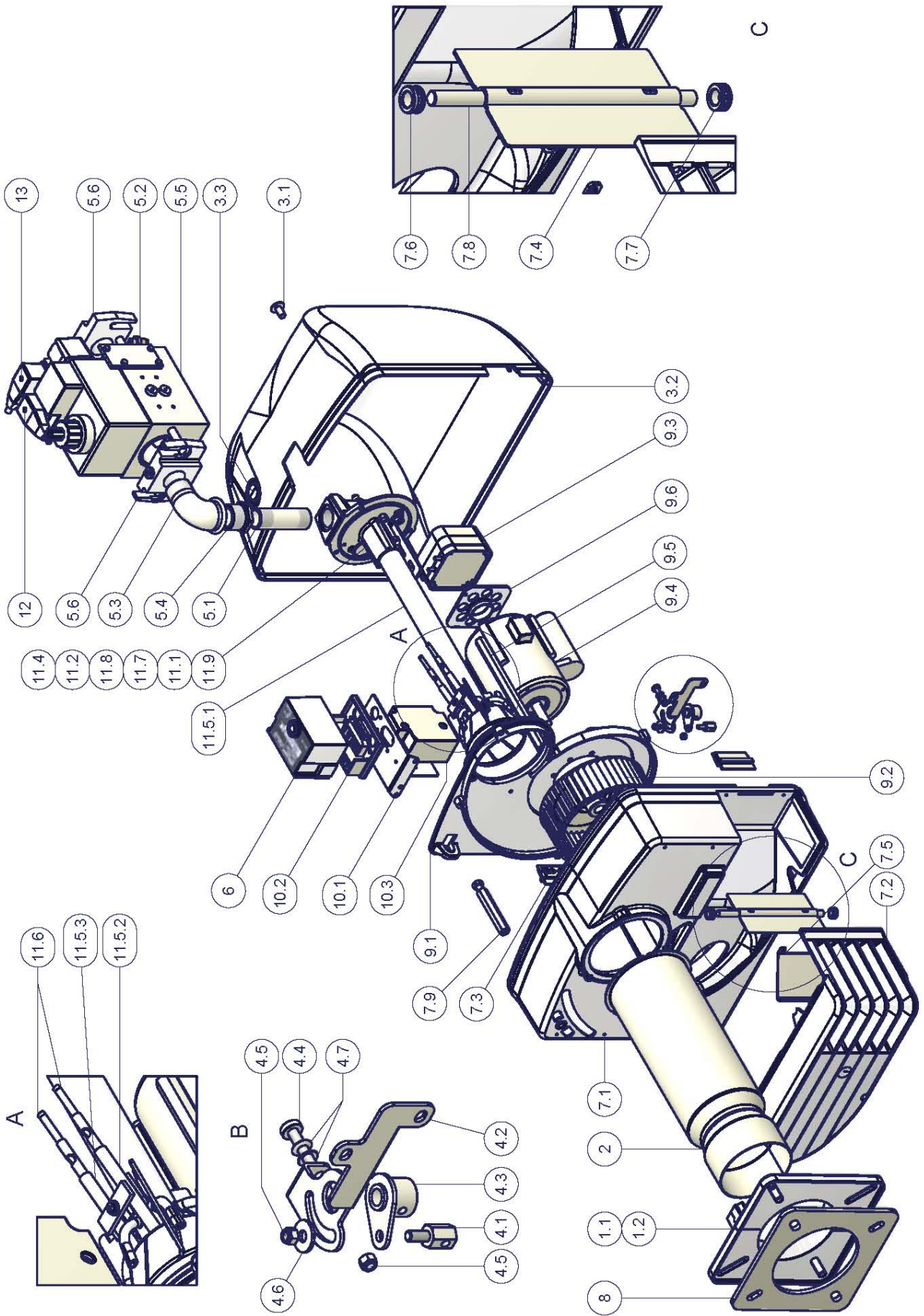
Description	Code	
	NGX120	NGX200
BLAST TUBE (S*)	30900N2	30900N4
BLAST TUBE (L*)	30900N3	30900N5
COMBUSTION HEAD LOW NOx (S*)	30600M8	30600N0
COMBUSTION HEAD LOW NOx (L*)	30600M9	30600N1
COMBUSTION HEAD WITH ELECTRODES) LOW NOx (S*)	3501853	3501855
COMBUSTION HEAD WITH ELECTRODES LOW NOx (L*)	3501854	3501856

*S: standard blast tube

*L: extended blast tube

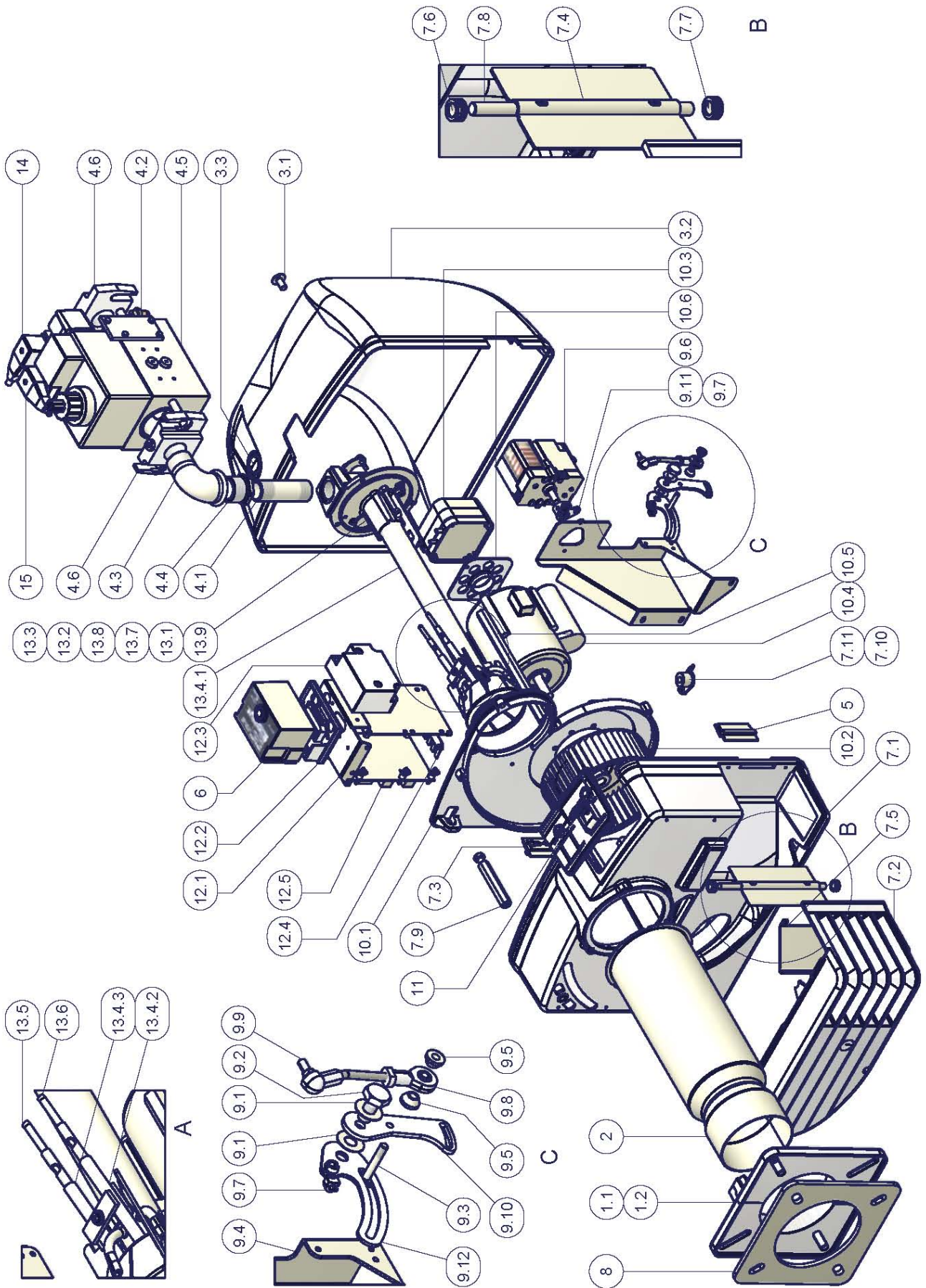
SINGLE-STAGE BURNER EXPLODED VIEW

	DESCRIPTION
1.1	HALF FLANGE
1.2	HALF FLANGE
2	BLAST TUBE
3.1	COVER FIXING SCREW
3.2	COVER
3.3	UNLOCK BUTTON RUBBER COVER
4.1	INDEX BLOCKING SCREW
4.2	INDEX HOLDER
4.3	BUSH
4.4	SCREW
4.5	SELF-BLOCKING NUT
4.6	WASHER
4.7	WASHER
5.1	EXTENSION SCREW
5.2	GAS PRESSURE INTAKE
5.3	ELBOW
5.4	REDUCTION
5.5	VALVE GROUP
5.6	VALVE GROUP FLANGE
6	CONTROL BOX
7.1	HOUSING
7.2	BOX ASSEMBLY
7.3	4-WAYS FAIRLEAD
7.4	AIR DAMPER ASSEMBLY
7.5	AIR FLAP
7.6	BUSH
7.7	BUSH
7.8	AIR DAMPER PIN
7.9	PLATE SRVICING PIN
8	GASKET
9.1	MOTOR PLATE
9.2	FAN WHEEL
9.3	AIR PRESSURE SWITCH
9.4	MOTOR
9.5	PLATE FIXING PIN
9.6	AIR PRESSURE SWITCH BRACKET
10.1	BRACKET
10.2	CONTROL BOX BOARD
10.3	TRANSFORMER
11.1	NUT
11.2	FAIRLEAD
11.3	GAS PRESSURE INTAKE
11.4	INSPECTION GLASS
11.5.1	COMBUSTION HEAD
11.5.2	DETECTION ELECTRODE
11.5.3	IGNITION ELECTRODE
11.6	IGNITION CABLE
11.7	SCREW
11.8	NUT
11.9	FLANGE
12	TERMINAL
13	TERMINAL



DOUBLE-STAGE BURNER EXPLODED VIEW

	DESCRIPTION
1.1 - 1.2	HALF FLANGE
2	BLAST TUBE
3.1	COVER FIXING SCREW
3.2	COVER FIXING SCREWCOVER
3.3	UNLOCK BUTTON RUBBER COVERUNLOCK BUTTON RUBBER COVER
4.1	INDEX BLOCKING SCREW
4.2	GAS PRESSURE INTAKE
4.3	ELBOW
4.4	REDUCTION
4.5	VALVE GROUP
4.6	VALVE GROUP FLANGE
5	FAIRLEAD
6	CONTROL BOX
7.1	HOUSING
7.2	BOX ASSEMBLY
7.3	4-WAYS FAIRLEAD
7.4	AIR DAMPER ASSEMBLY
7.5	AIR FLAP
7.6	BUSH
7.8 - 7.9	PINS
7.10	ROD
7.11	BUSH
8	GASKET
9.1	WASHER
9.2 - 9.3	SCREWS
9.4	ACTUATOR BRACKET
9.5	SPACERS
9.6	ACTUATOR
9.7	ROD
9.8 - 9.9	JOINT
9.10	BRACKET
9.11	BUSH
9.12	AIR DMAPER CAM
10.1	MOTOR PLATE
10.2	FAN WHEEL
10.3	AIR PRESSURE SWITCH
10.4	MOTOR
10.5	PLATE FIXING PIN
10.6	AIR PRESSURE SWITCH BRACKET
11	PANEL ASS.Y
12.1	BRACKET
12.2	CONTROL BOX HOLDER
12.3	IGNITION TRANSFORMER
12.4	EARTHING PLATE
12.5	PBC
13.1	NUT
13.2	FAIRLEAD
13.3	INSPECTION GLASS
13.4.1	COMBUSTION HEAD
13.4.2	DETECTION ELECTRODE
13.4.3	INGNITION ELECTRODE
13.5	
13.6	DETECTION CABLES
13.7	SCREW
13.8	NUT
13.9	FLANGE
14 - 15	CONNECTOR



WIRING DIAGRAMS**Complete key**

C1	Operation time counter first stage
C2	Operation time counter second stage
CO	Operation time counter
ER	Flame detection electrode
EV1	Gas network side solenoid valve (or valves group)
EV2	Burner side solenoid valve (or valves group)
F	Fuse
FR	Photoresistor
FU2-FU3	Line fuse
IG	Main switch
IL	Line switch
L	Phase
LAF-LAF1	Burner in high flame operation light
LB	Flame lockout light
LBF	Burner in low flame operation light
LF	Burner in operation signaling light
LME	SIEMENS control box
LTA	Ignition transformer operation light
MA	Burner supply terminal board
MV	Fan motor
N	Neutral
PA	Air pressure switch
PG	Minimum gas pressure switch
PS	Reset pushbutton for flame control device
SATRONIC DK0976-DKW976	Control box
SATRONIC DKW972	Control box
ST	Group of thermostats or pressure switches
STA4.5B0.37/63N21L	BERGER actuator for air damper
SW1	Second stage pushbutton
TA	Ignition transformer
TAB	High-low flame thermostat (if fitted remove the bridge between terminals 6 and 7 on terminal board MA)
TS	Safety thermostat or pressure switch on boiler
VPS	Dungs gas proving system (optional)

Note: connect the bridge between terminals 7 and 9, only if LGB21.33 is used

ACTUATOR CAMS

SIEMENS SQN30.151	BERGER STA6BB3.41	SIEMENS SQN70.224A20	BERGER STA4.5B0.37 STA13B0.36	
I	ST2	RED	I	high flame
II	ST0	BLUE	II	stand by
III	ST1	ORANGE	IV	low flame
V	MV	BLACK	III	Not used

WARNING:

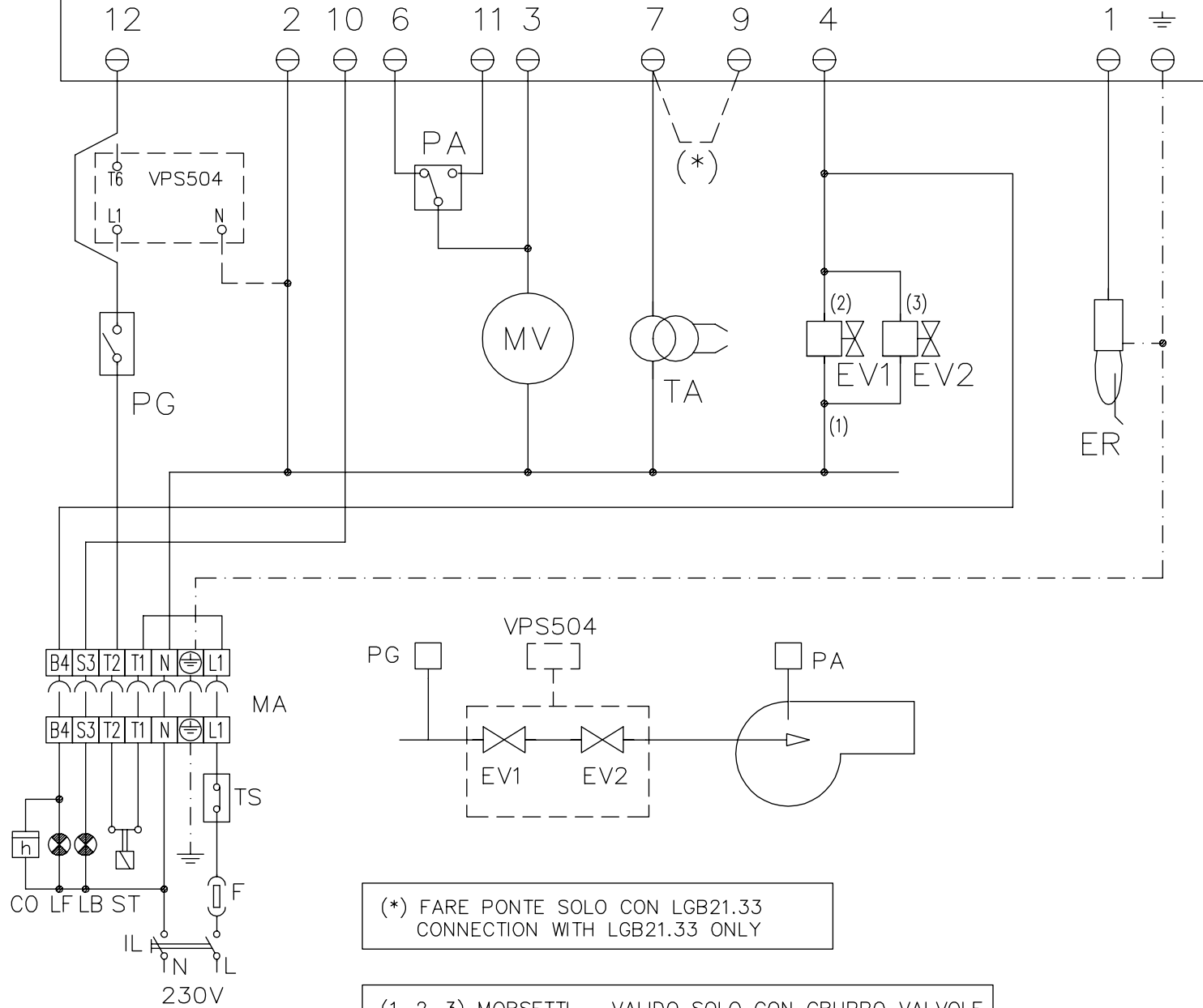
- 1 - Power supply 230V 50/60Hz 2N a.c.
- 2 - Don't reverse phase with neutral
- 3 - Be sure the burner is properly hearted

Wiring diagram cod. 01-319 - Single stage burners

Wiring diagram 18-069 - High-Low flame / Progressive burners

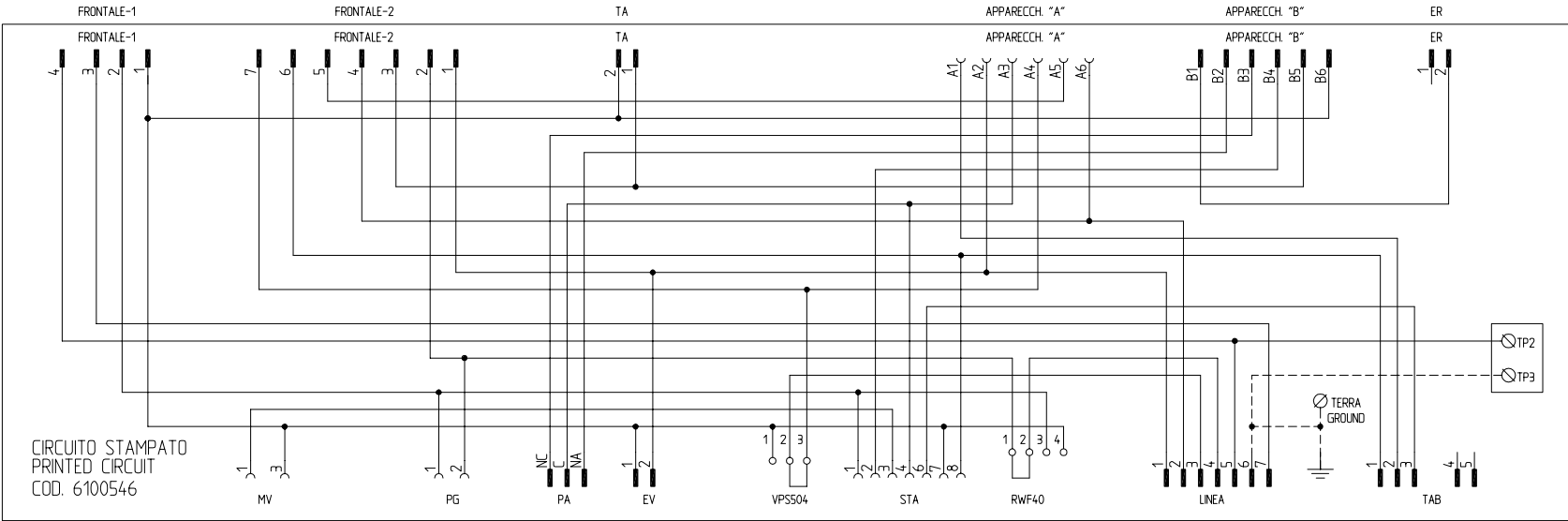
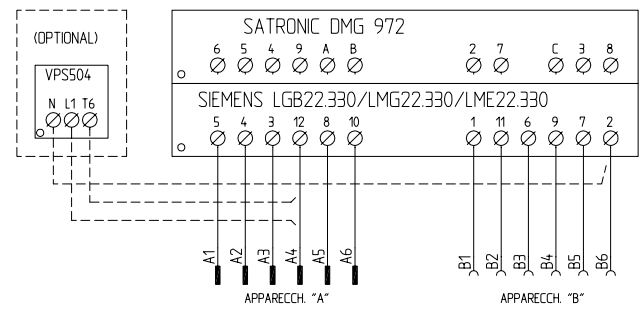
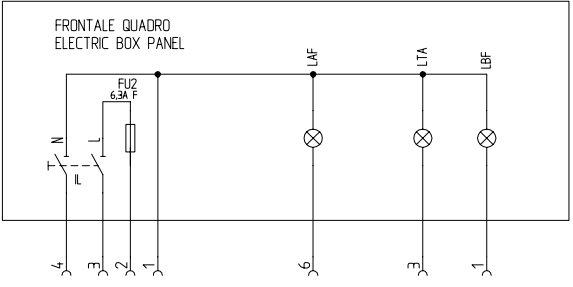
Wiring diagram 18-166 - Fully-modulating burners

SIEMENS LME11.330/LME21.330/LME22.330
 SIEMENS LMG22.330/LMG21.330/LMG25.330
 SIEMENS LGB22.330 / LGB21.330



(*) FARE PONTE SOLO CON LGB21.33
 CONNECTION WITH LGB21.33 ONLY

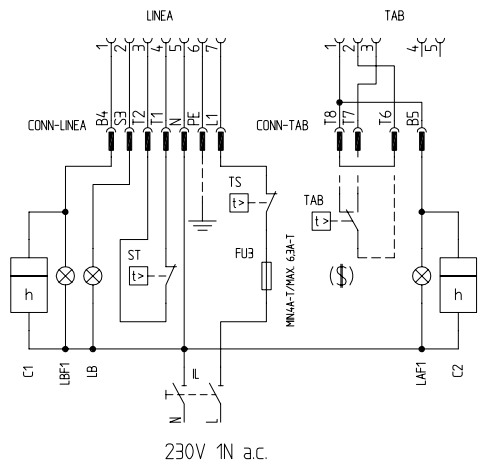
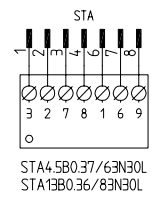
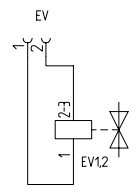
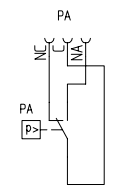
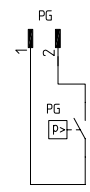
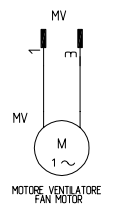
(1-2-3) MORSETTI - VALIDO SOLO CON GRUPPO VALVOLE
 (1-2-3) TERMINALS - WITH VALVE GROUP ONLY



CIRCUITO STAMPATO
PRINTED CIRCUIT
COD. 6100546

CAMME SERVOCOMANDO SERRANDA ARIA
CAMS OF AIR DAMPER SERVO CONTROL
STA4.5B / STA13B

- I ALTA FIAMMA HIGH FLAME
- II MEDIA FIAMMA MEDIUM FLAME
- III BASSA FIAMMA LOW FLAME
- IV NON USATA NOT USED



(***) SOLO CON ALIMENTAZIONE ELETTRICA SENZA NEUTRO
WITH ELECTRIC SUPPLY WITHOUT NEUTRAL VERSION ONLY

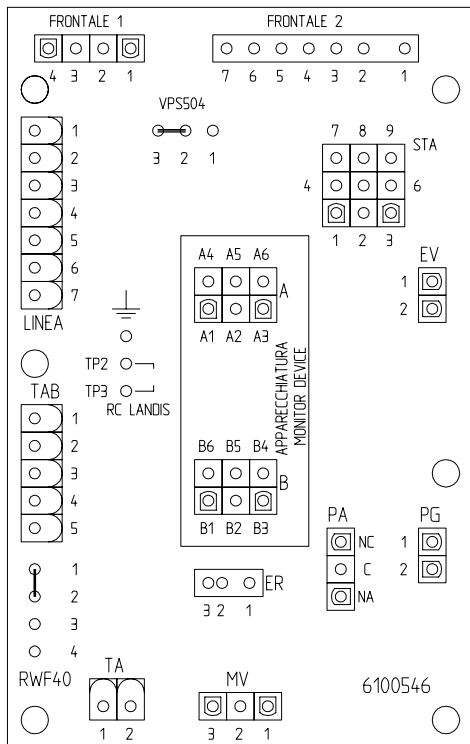
(\$) SE PREVISTO "TAB", TOGLIERE IL PONTE TRA I MORSETTI T6-T8
IF "TAB" USED REMOVE THE BRIDGE BETWEEN TERMINALS T6-T8

230V 1N a.c.

Data	17/10/2005	PREC.	FOGLIO
Revisione	02	/	1
Dis. N.	18 - 069	SEGUE	TOTALE
		2	2

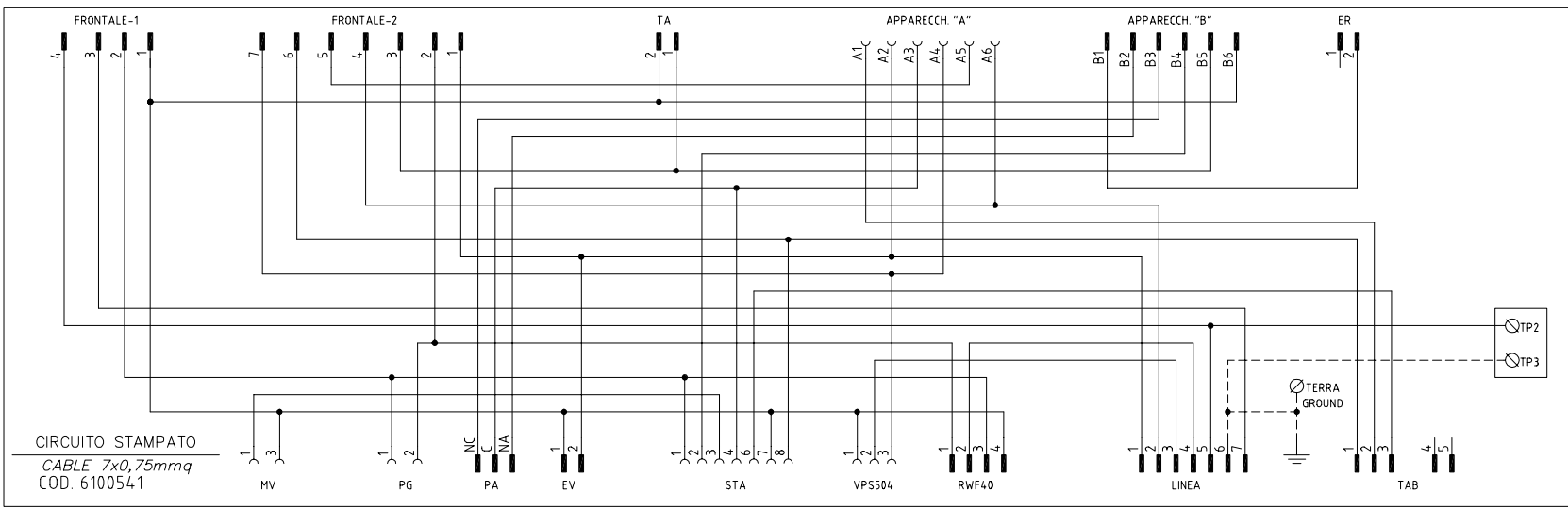
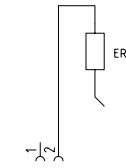
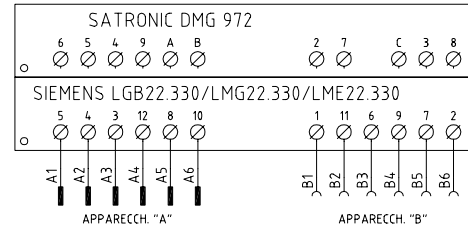
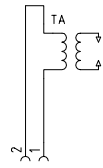
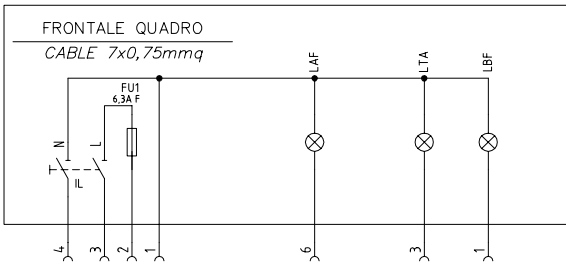
SIGLA/ITEM	FUNZIONE	FUNCTION
C1	CONTAORE BASSA FIAMMA	LOW FLAME TIME METER
C2	CONTAORE ALTA FIAMMA	HIGH FLAME TIME METER
ER	ELETTRODO RIVELAZIONE FIAMMA	FLAME DETECTION ELECTRODE
EV1,2	ELETTROVALVOLE GAS (O GRUPPO VALVOLE)	GAS ELECTRO-VALVES (OR VALVES GROUP)
FU2	FUSIBILE DI LINEA	LINE FUSE
FU3	FUSIBILE LINEA BRUCIATORE	BURNER LINE FUSE
IL	INTERRUTTORE LINEA BRUCIATORE	BURNER LINE SWITCH
IL	INTERRUTTORE LINEA AUSILIARI	AUXILIARY LINE SWITCH
LAF	LAMPADA SEGNALAZIONE ALTA FIAMMA BRUCIATORE	BURNER IN HIGH FLAME INDICATOR LIGHT
LAF1	LAMPADA SEGNALAZIONE ALTA FIAMMA BRUCIATORE	BURNER IN HIGH FLAME INDICATOR LIGHT
LGB22.330/LMG22.330/LME22.330	APPARECCHIATURA CONTROLLO FIAMMA	FLAME MONITOR DEVICE
LB	LAMPADA SEGNALAZIONE BLOCCO BRUCIATORE	INDICATOR LIGHT FOR BURNER LOCK-OUT
LBF	LAMPADA SEGNALAZIONE BASSA FIAMMA BRUCIATORE	BURNER IN LOW FLAME INDICATOR LIGHT
LBF1	LAMPADA SEGNALAZIONE BASSA FIAMMA BRUCIATORE	BURNER IN LOW FLAME INDICATOR LIGHT
LTA	LAMPADA SEGNALAZIONE TRASFORMATORE DI ACCENSIONE	IGNITION TRANSFORMER INDICATOR LIGHT
MV	MOTORE VENTILATORE	FAN MOTOR
PA	PRESSOSTATO ARIA COMBURENTE	COMBUSTION AIR PRESSURE SWITCH
PG	PRESSOSTATO GAS DI MINIMA PRESSIONE	MINIMUM GAS PRESSURE SWITCH
RC	CIRCUITO RC	RC CIRCUIT
SATRONIC DMG 972	APPARECCHIATURA CONTROLLO FIAMMA	FLAME MONITOR DEVICE
ST	SERIE TERMOSTATI/PRESSOSTATI	SERIES OF THERMOSTATS OR PRESSURE SWITCHES
STA4.5 / STA13B	SERVOCOMANDO SERRANDA ARIA	AIR DAMPER SERVO CONTROL
TA	TRASFORMATORE DI ACCENSIONE	IGNITION TRANSFORMER
TAB	TERMOSTATO/PRESSOSTATO ALTA-BASSA FIAMMA	HIGH-LOW THERMOSTAT/PRESSURE SWITCHES
TS	TERMOSTATO/PRESSOSTATO DI SICUREZZA	SAFETY THERMOSTAT OR PRESSURE SWITCH
VPS504	CONTROLLO DI TENUTA VALVOLE GAS (OPTIONAL)	GAS LEAKAGE MONITOR DEVICE (OPTIONAL)

SIGLA/ITEM	FUNZIONE	FUNCTION
(***)	SOLO CON ALIMENTAZIONE ELETTRICA SENZA NEUTRO	WITH ELECTRIC SUPPLY WITHOUT NEUTRAL VERSION ONLY
(\$)	SE PREVISTO "TAB", TOGLIERE IL PONTE TRA I MORSETTI T6-T8	IF "TAB" USED REMOVE THE BRIDGE BETWEEN TERMINALS T6-T8
	CAMME SERVOCOMANDO	SERVO CONTROL CAMS
I	ALTA FIAMMA	HIGH FLAME
II	SOSTA	STAND-BY
IV	BASSA FIAMMA	LOW FLAME
III	NON USATA	NOT USED



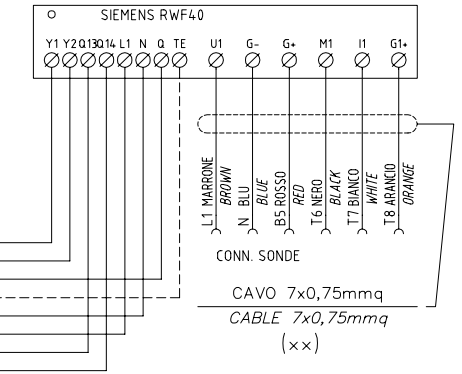
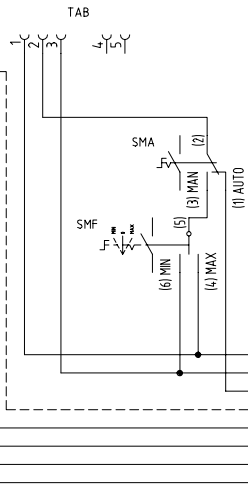
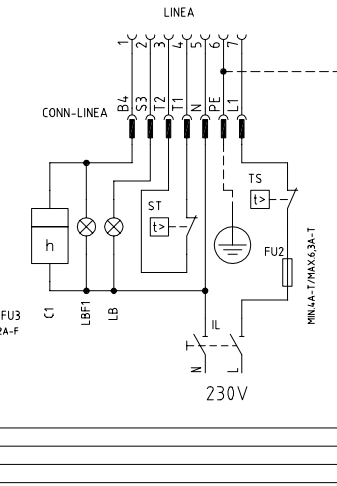
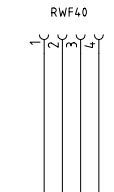
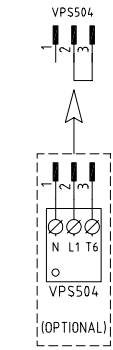
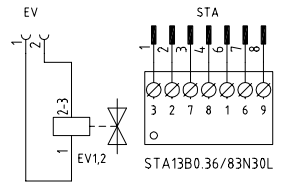
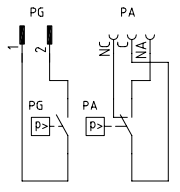
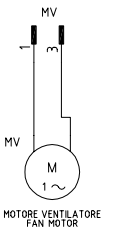
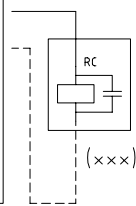
Data	17/10/2005	PREC.	FOGLIO
Revisione	02	1	2
Dis. N.	18 - 069	SEGUE	TOTALE
		/	2

VERSIONE MODULANTE "MD"
"MD" MODULATING VERSION



SERVOCOMANDO SERRANDA ARIA
AIR DAMPER SERVO CONTROL
STA13B0.36/83N30L

- I ALTA FIAMMA
HIGH FLAME
- II SOSTA
STAND-BY
- IV BASSA FIAMMA
LOW FLAME
- III NON USATA
NOT USED

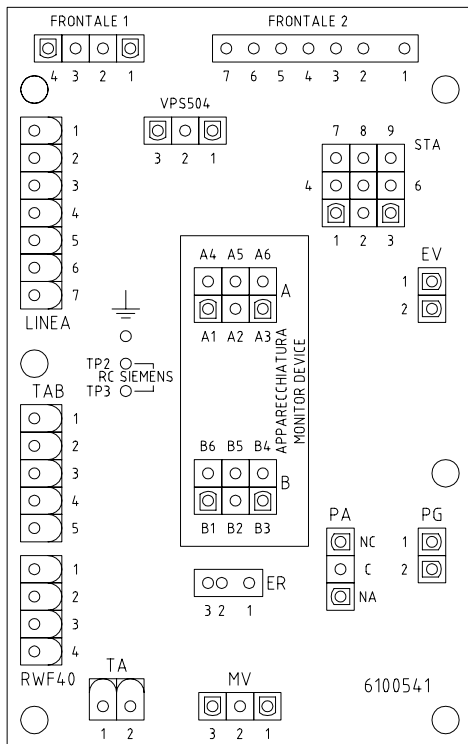
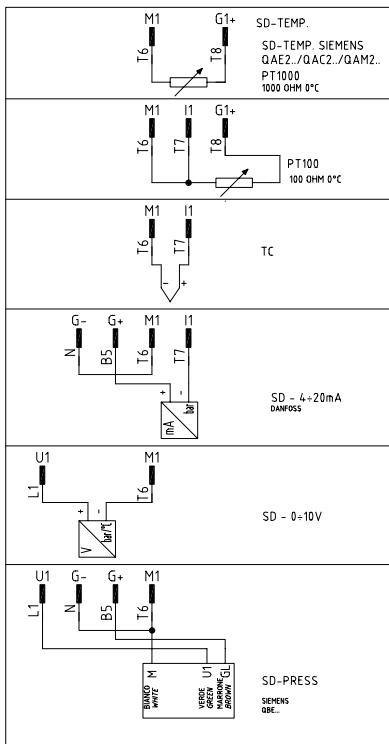


(xx) COLLEGAMENTO SONDE
PROBE CONNECTION

(xxx) SOLO CON ALIMENTAZIONE ELETTRICA SENZA NEUTRO
WITH ELECTRIC SUPPLY WITHOUT NEUTRAL VERSION ONLY

Data	01/10/2008	PREC.	FOGLIO
Revisione	00	/	1
Dis. N.	18 - 166	SEGUE	TOTALE
		2	2

(xx)
COLLEGAMENTO SONDE
PROBE CONNECTION

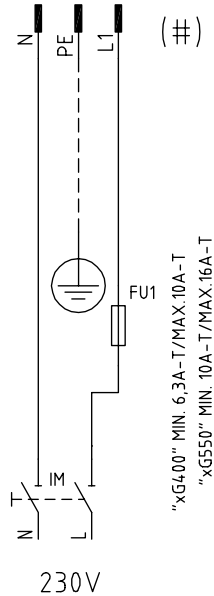


SIGLA/ITEM	FUNZIONE	FUNCTION
C1	CONTAORE BASSA FIAMMA	LOW FLAME TIME METER
ER	ELETTRODO RILEVAZIONE FIAMMA	FLAME DETECTION ELECTRODE
EV1,2	ELETTROVALVOLE GAS (O GRUPPO VALVOLE)	GAS ELECTRO-VALVES (OR VALVES GROUP)
FU1	FUSIBILE DI LINEA	LINE FUSE
FU2	FUSIBILE DI LINEA	LINE FUSE
FU3	FUSIBILE AUSILIARIO	AUXILIARY FUSE
IL	INTERRUTTORE LINEA BRUCIATORE	BURNER LINE SWITCH
IL	INTERRUTTORE LINEA AUSILIARI	AUXILIARY LINE SWITCH
LAF	LAMPADA SEGNALAZIONE ALTA FIAMMA BRUCIATORE	BURNER IN HIGH FLAME INDICATOR LIGHT
LB	LAMPADA SEGNALAZIONE BLOCCO BRUCIATORE	INDICATOR LIGHT FOR BURNER LOCK-OUT
LBF	LAMPADA SEGNALAZIONE BASSA FIAMMA BRUCIATORE	BURNER IN LOW FLAME INDICATOR LIGHT
LBF1	LAMPADA SEGNALAZIONE BASSA FIAMMA BRUCIATORE	BURNER IN LOW FLAME INDICATOR LIGHT
LTA	LAMPADA SEGNALAZIONE TRASFORMATORE DI ACCENSIONE	IGNITION TRANSFORMER INDICATOR LIGHT
MV	MOTORE VENTILATORE	FAN MOTOR
PA	PRESSOSTATO ARIA	AIR PRESSURE SWITCH
PG	PRESSOSTATO GAS DI MINIMA PRESSIONE	MINIMUM GAS PRESSURE SWITCH
PT100	SONDA DI TEMPERATURA	TEMPERATURE PROBE
RC	CIRCUITO RC	RC CIRCUIT
DMG 972	APPARECCHIATURA CONTROLLO FIAMMA	FLAME MONITOR DEVICE
SD-0+10V	SEGNALE IN TENSIONE	TENSION SIGNAL
SD-PRESS	SONDA DI PRESSIONE	PRESSURE PROBE
SD-TEMP.	SONDA DI TEMPERATURA	TEMPERATURE PROBE
SD - 0/4+20mA	TRASDUTTORE USCITA IN CORRENTE	TRASDUCER CURRENT OUTPUT
LGB22.330/LMG22.330/LME22.330	APPARECCHIATURA CONTROLLO FIAMMA	FLAME MONITOR DEVICE
RWF4.0.0x0	REGOLATORE MODULANTE	BURNER MODULATOR
SMA	SELETTORE MANUALE/AUTOMATICO	MANUAL/AUTOMATIC SELECTOR
SMF	SELETTORE MANUALE FUNZIONAMENTO MIN-0-MAX	MIN-0-MAX MANUAL OPERATION SWITCH
ST	SERIE TERMOSTATI/PRESSOSTATI	SERIES OF THERMOSTATS OR PRESSURE SWITCHES
STA13B0.36/83N30L	SERVOCOMANDO SERRANDA ARIA	AIR DAMPER SERVO CONTROL
TA	TRASFORMATORE DI ACCENSIONE	IGNITION TRANSFORMER
TC	TERMOCOPPIA	THERMOCOUPLE
TS	TERMOSTATO/PRESSOSTATO DI SICUREZZA	SAFETY THERMOSTAT OR PRESSURE SWITCH
VP5504	CONTROLLO DI TENUTA VALVOLE GAS (OPTIONAL)	GAS LEAKAGE MONITOR DEVICE (OPTIONAL)

SIGLA	FUNZIONE	FUNCTION
(x)	PONTE TRA I MORSETTI 7 E 9 SOLO CON LGB21.330 (PER VERSIONE "TN")	BRIDGE BETWEEN TERMINALS 7 AND 9 ONLY WITH LGB21.330 ("TN" VERSION ONLY)
(xx)	VEDI COLLEGAMENTO SONDE	TO SEE PROBE CONNECTION
(xxx)	SOLO CON ALIMENTAZIONE ELETTRICA SENZA NEUTRO	WITH ELECTRIC SUPPLY WITHOUT NEUTRAL VERSION ONLY
	CAMME SERVOCOMANDO	SERVO CONTROL CAMS
I	ALTA FIAMMA	HIGH FLAME
II	SOSTA	STAND-BY
IV	BASSA FIAMMA	LOW FLAME
III	NON USATA	NOT USED

VERSIONE ALTA-BASSA FIAMMA / PROGRESSIVO CON RELE' "KAB" DI SEZIONAMENTO
 HIGH-LOW / PROGRESSIVE VERSION WITH "KAB" SECTIONING RELAY
 ИСПОЛНЕНИЕ ДВУХСТУПЕНЧАТОЕ / ПРОГРЕССИВНОЕ С РАЗДЕЛИТЕЛЬНЫМ РЕЛЕ «КАВ»

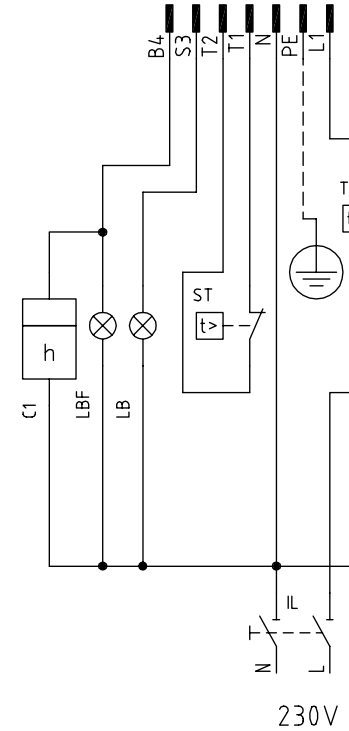
CONNETTORE [3] POLI
 [3] PINS CONNECTOR
 [3]-ТИ ПОЛЮСНЫЙ СОЕДИНИТЕЛЬНЫЙ РАЗЪЕМ



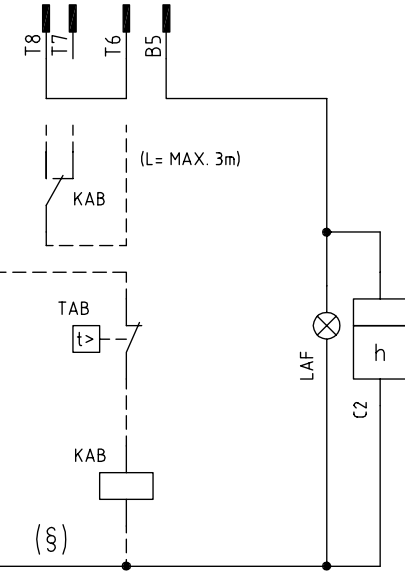
"xG400" MIN. 6,3A-T/MAX. 10A-T
 "xG550" MIN. 10A-T/MAX. 16A-T

(#) ESCLUSO TIPO [xG350]
 EXCLUDED TYPE [xG350]
 ЗА ИСКЛЮЧЕНИЕМ ТИПА [xG350]

CONNETTORE [7] POLI
 [7] PINS CONNECTOR
 [7]-ТИ ПОЛЮСНЫЙ СОЕДИНИТЕЛЬНЫЙ РАЗЪЕМ



CONNETTORE [4] POLI
 [4] PINS CONNECTOR
 [4]-ТИ ПОЛЮСНЫЙ СОЕДИНИТЕЛЬНЫЙ РАЗЪЕМ



(§) SE USATO, TOGLIERE IL PONTE TRA I MORSETTI T6-T8
 IF USED, REMOVE THE BRIDGE BETWEEN TERMINALS T6-T8
 ЕСЛИ ИСПОЛЬЗУЕТСЯ, СНЯТЬ ПЕРЕМЫЧКУ МЕЖДУ КЛЕММАМИ T6 - T8

Data	26/06/2008	PREC. /	FOGLIO 1
Revisione	00		SEGUE 2
Dis. N.	TAB_1		

SIGLA/ITEM	FUNZIONE	FUNCTION
C1	CONTAORE BASSA FIAMMA	LOW FLAME TIME COUNTER
C2	CONTAORE ALTA FIAMMA	HIGH FLAME TIME COUNTER
FU1	FUSIBILE LINEA MOTORE VENTILATORE	FAN MOTOR LINE FUSE
FU3	FUSIBILE LINEA BRUCIATORE	BURNER LINE FUSE
IL	INTERRUTTORE LINEA BRUCIATORE	BURNER LINE SWITCH
IM	INTERRUTTORE LINEA MOTORE VENTILATORE	FAN MOTOR LINE SWITCH
KAB	RELE' AUSILIARIO	AUXILIARY RELAY
LAF	LAMPADA SEGNALAZIONE ALTA FIAMMA BRUCIATORE	BURNER IN HIGH FLAME INDICATOR LIGHT
LB	LAMPADA SEGNALAZIONE BLOCCO BRUCIATORE	INDICATOR LIGHT FOR BURNER LOCK-OUT
LBF	LAMPADA SEGNALAZIONE BASSA FIAMMA BRUCIATORE	BURNER IN LOW FLAME INDICATOR LIGHT
ST	SERIE TERMOSTATI/PRESSOSTATI	SERIES OF THERMOSTATS OR PRESSURE SWITCHES
TAB	TERMOSTATO/PRESSOSTATO ALTA-BASSA FIAMMA	HIGH-LOW THERMOSTAT/PRESSURE SWITCHES
TS	TERMOSTATO/PRESSOSTATO DI SICUREZZA	SAFETY THERMOSTAT OR PRESSURE SWITCH

SIGLA/ITEM	FUNZIONE	FUNCTION
C1	CONTAORE BASSA FIAMMA	СЧЕТЧИК ЧАСОВ РАБОТЫ НА МАЛОМ ПЛАМЕНИ
C2	CONTAORE ALTA FIAMMA	СЧЕТЧИК ЧАСОВ РАБОТЫ НА БОЛЬШОМ ПЛАМЕНИ
FU1	FUSIBILE LINEA MOTORE VENTILATORE	ПЛАВКИЙ ПРЕДОХРАНИТЕЛЬ ЛИНИИ ДВИГАТЕЛЯ ВЕНТИЛЯТОРА
FU3	FUSIBILE LINEA BRUCIATORE	ПЛАВКИЙ ПРЕДОХРАНИТЕЛЬ ЛИНИИ ГОРЕЛКИ
IL	INTERRUTTORE LINEA BRUCIATORE	ВЫКЛЮЧАТЕЛЬ ЛИНИИ ГОРЕЛКИ
IM	INTERRUTTORE LINEA MOTORE VENTILATORE	ВЫКЛЮЧАТЕЛЬ ЛИНИИ ДВИГАТЕЛЯ ВЕНТИЛЯТОРА
KAB	RELE' AUSILIARIO	ВСПОМОГАТЕЛЬНОЕ РЕЛЕ
LAF	LAMPADA SEGNALAZIONE ALTA FIAMMA BRUCIATORE	СИГНАЛЬНАЯ ЛАМПОЧКА БОЛЬШОГО ПЛАМЕНИ ГОРЕЛКИ
LB	LAMPADA SEGNALAZIONE BLOCCO BRUCIATORE	СИГНАЛЬНАЯ ЛАМПОЧКА БЛОКИРОВКИ ГОРЕЛКИ
LBF	LAMPADA SEGNALAZIONE BASSA FIAMMA BRUCIATORE	СИГНАЛЬНАЯ ЛАМПОЧКА МАЛОГО ПЛАМЕНИ ГОРЕЛКИ
ST	SERIE TERMOSTATI/PRESSOSTATI	РЯД ТЕРМОСТАТОВ/РЕЛЕ ДАВЛЕНИЯ
TAB	TERMOSTATO/PRESSOSTATO ALTA-BASSA FIAMMA	ТЕРМОСТАТ/РЕЛЕ ДАВЛЕНИЯ БОЛЬШОГО/МАЛОГО ПЛАМЕНИ
TS	TERMOSTATO/PRESSOSTATO DI SICUREZZA	ПРЕДОХРАНИТЕЛЬНЫЙ ТЕРМОСТАТ/ РЕЛЕ ДАВЛЕНИЯ

Data	26/06/2008	PREC.	FOGLIO
Revisione	00	1	2
Dis. N.	TAB_1	SEGUE	TOTALE
		/	1

APPENDIX: COMPONENTS CHARACTERISTICS

SIEMENS LME11/21/22 CONTROL BOX

The series of equipment LME.. is used for the startup and supervision of 1- or 2- stage gas burners. The series LME..is interchangeable with the series LGB.. and LMG.., all diagrams and accessories are interchangeable, the main features are:

- Indications of error codes by a signalling multicolor LED in the lockout reset button;
- Programmer fix times for the digital management of signals.

Comparative table

LGB Series	LMG Series	LME Series
---	LMG 25.33	LME 11.33
LGB 21.33	LMG 21.33	LME 21.33
LGB 22.33	LMG 22.33	LME 22.33

Preconditions for burner startup

- Burner control must be reset
- All contacts in the line are closed, request for heat
- No undervoltage
- Air pressure switch LP must be in its "no-load" position
- Fan motor or AGK25 is closed
- Flame detector is darkened and there is no extraneous light

Undervoltage

Safety shutdown from the operating position takes place should mains voltage drop below about AC 175 V (at UN = AC 230 V)

Restart is initiated when mains voltage exceeds about AC 185 V (at UN = AC 230 V).

Controlled intermittent operation

After no more than 24 hours of continuous operation, the burner control will initiate automatic controlled shutdown followed by a restart.

Reversed polarity protection with ionization




If the connections of live conductor (terminal 12) and neutral conductor (terminal 2) are mixed up, the burner control will initiate lockout at the end of the safety time "TSA".

Control sequence in the event of fault

If lockout occurs, the outputs for the fuel valves, the burner motor and the ignition equipment will immediately be deactivated (< 1 second).

Operational status indication

In normal operation, the different operating states are showed by means of the multicolor LED, inside the lockout reset button:

	red LED Steady on
	yellow LED Off
	green LED	○... Off

During startup, status indication takes place according to the table:

Status	Color code	Color
Waiting time tw, other waiting states	○.....	Off
Ignition phase, ignition controlled	●○●○●○●○●○●○	Flashing yellow
Operation, flame ok	□.....	Green
Operation, flame not ok	□○□○□○□○□○□○	Flashing green
Extraneous light on burner startup	□▲□▲□▲□▲□▲□▲	Green - red

Status	Color code	Color
Undervoltage	●▲●▲●▲●▲●▲	Yellow - red
Fault, alarm	▲.....	Red
Error code output (refer to "Error code table")	▲○ ▲○ ▲○ ▲○	Flashing red

START-UP PROGRAM

As far as the startup program, see its time diagram:

A Start command (switching on)

This command is triggered by control thermostat / pressure controller «R». Terminal 12 receives voltage and the programming mechanism starts running. On completion of waiting time «tw» with the LME21..., or after air damper «SA» has reached the nominal load position (on completion of «t11») with the LME22..., fan motor «M» will be started.

tw Waiting time

During the waiting time, air pressure monitor «LP» and flame relay «FR» are tested for correct contact positions.

t11 Programmed opening time for actuator «SA»

(Only with LME22...) The air damper opens until the nominal load position is reached. Only then will fan motor «M» be switched on.

t10 Specified time for air pressure signal

On completion of this period of time, the set air pressure must have built up, or else lockout will occur.

t1 Prepurge time

Purging the combustion chamber and the secondary heating surfaces: required with low-fire air volumes when using the LME21... and with nominal load air volumes when using the LME22.... The diagrams show the so-called prepurge time «t1» during which air pressure monitor «LP» must indicate that the required air pressure is available. The effective prepurge time «t1» comprises interval end «tw» through «t3».

t12 Programmed closing time for actuator «SA»

(Only with LME22...)During «t12», the air damper travels to the low-fire position.

t3 Preignition time

During «t3» and up to the end of «TSA», flame relay «FR» is forced to close. On completion of «t3», the release of fuel is triggered at terminal 4.

TSA Ignition safety time

On completion of «TSA», a flame signal must be present at terminal 1. That flame signal must be continuously available until shutdown occurs, or else flame relay «FR» will be deenergized, resulting in lockout.

t4 Interval BV1 and BV2-LR

Time between the end of TSA and the signal to the second fuel valve BV2 or to the load controller LR

B - B' Interval for flame establishment

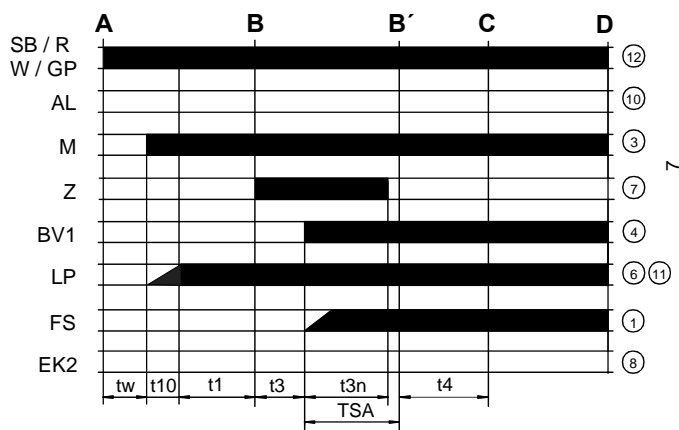
C Burner operation position

C - D Burner operation (heat production)

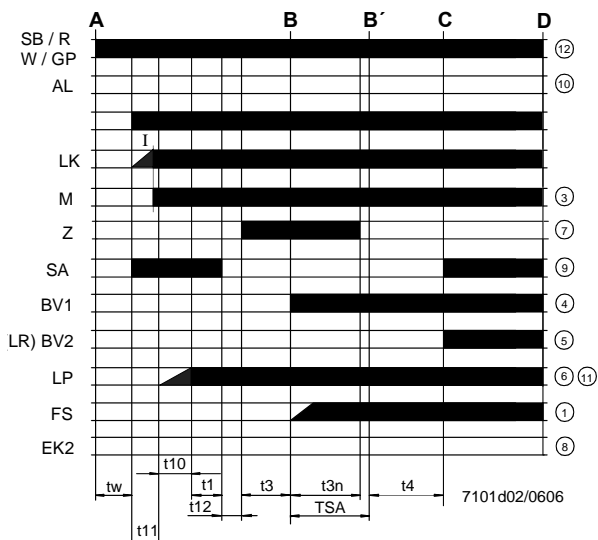
D Controlled by "R" shutdown

The burner stops and the control device is ready for a new startup.

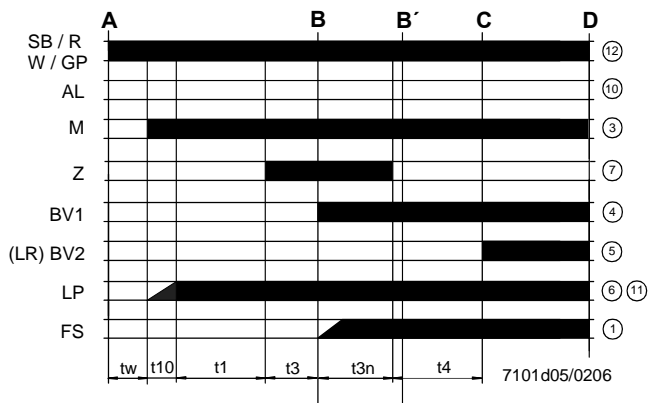
LME11 control sequence



LME22 control sequence



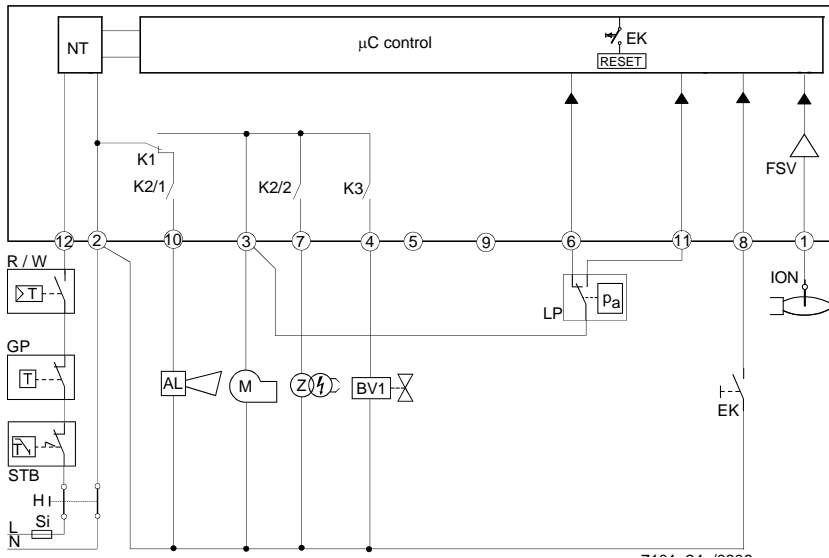
LME21 control sequence



Control sequence

- t_w Waiting time
- t_1 Purge time
- TSA Ignition safety time
- t_3 Preignition time
- t_{3n} Postignition time
- t_4 Interval between BV1 and BV2/LR
- t_{10} Specified time for air pressure signal
- t_{11} Programmed opening time for actuator SA
- t_{12} Programmed closing time for actuator SA

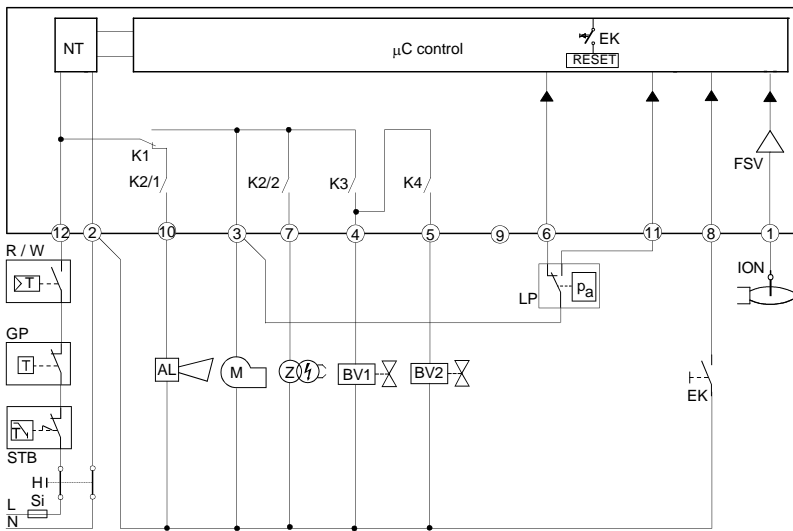
LME11 connection diagram



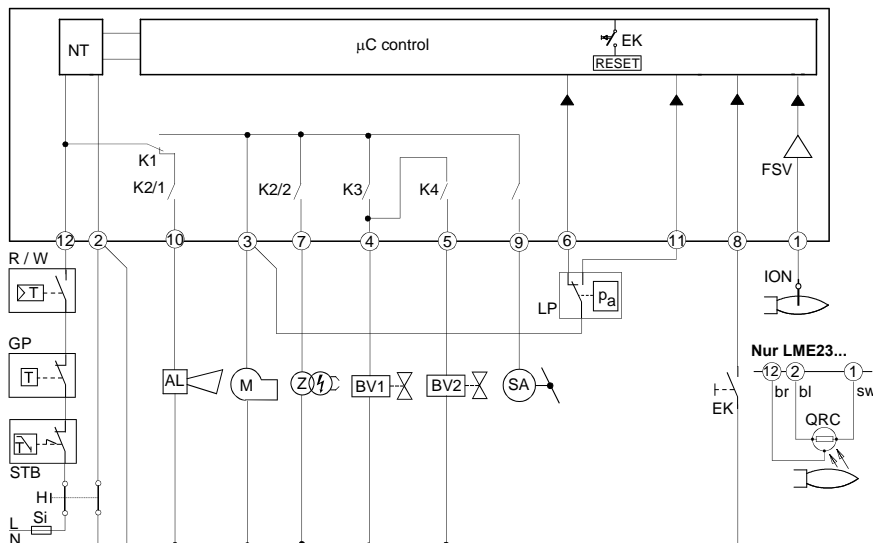
Connection diagram

- AL Error message (alarm)
- BV Fuel valve
- EK2 Remote lockout reset button
- FS Flame signal
- GP Gas pressure switch
- LP Air pressure switch
- LR Load controller
- M Fan motor
- R Control thermostat/pressurestat
- SB Safety limit thermostat
- W Limit thermostat /pressure switch
- Z Ignition transformer

LME21 connection diagram



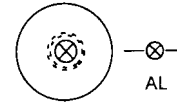
LME22 connection diagram



CONTROL PROGRAM IN THE EVENT OF FAULT

- If a fault occurs, all outputs will immediately be deactivated (in less than 1s).
- After an interruption of power, a restart will be made with the full program sequence.
- If the operating voltage drops below the undervoltage threshold, a safety shutdown is performed.
- If the operating voltage exceeds the undervoltage threshold, a restart will be performed.
- In case of extraneous light during "t1", a lockout occurs.
- In case of extraneous light during "tw", there is a prevention of startup and a lockout after 30 seconds.
- In case of no flame at the end of TSA, there will be max. 3 repetitions of the startup cycle, followed by a lockout at the end of TSA, for mod. LME11..; directly a lockout at the end of TSA for LME21-22 models.
- For LME11 model: if a loss of flame occurs during operation, in case of an establishment of flame at the end of TSA, there will be max. 3 repetitions, otherwise a lockout will occur.
- For LME21-22 models: if a loss of flame occurs during operation, there will be a lockout.
- If the contact of air pressure monitor LP is in working position, a prevention of startup and lockout after 65 seconds will occur.
- If the contact of air pressure monitor LP is in normal position, a lockout occurs at the end of t10.
- If no air pressure signal is present after completion of t1, a lockout will occur.

In the event of lockout, the LME.. remains locked and the red signal lamp (LED) will light up. The burner control can immediately be reset. This state is also maintained in the case of mains failure.



DIAGNOSTICS OF THE CASE OF FAULT

- Press the lockout reset button for more than 3 seconds to activate the visual diagnostics.
- Count the number of blinks of the red signal lamp and check the fault condition on the "Error code table" (the device repeats the blinks for regular intervals).

During diagnostics, the control outputs are deactivated:

- the burner remains shut down;
- external fault indication is deactivated;
- fault status is showed by the red LED, inside the LME's lockout reset button according to the "Error code table":

CONTROL BOX LOCKED

ERROR CODE TABLE	
2 blinks **	No establishment of flame at the end of TSA - Faulty or soiled fuel valves - Faulty or soiled flame detector - Inadequate adjustment of burner, no fuel - Faulty ignition equipment
3 blinks ***	The air pressure switch does not switch or remains in idle position: - LP is faulty - Loss of air pressure signal after t10 - LP is welded in normal position.
4 blinks ****	- Extraneous light when burner starts up.
5 blinks *****	- LP is working position.
6 blinks *****	Free.
7 blinks *****	Loss of flame during operation - Faulty or soiled fuel valves - Faulty or soiled flame detector - Inadequate adjustment of burner
8 ÷ 9 blinks	Free
10 blinks *****	Faulty output contacts - Wiring error - Anomalous voltage on output terminals - Other faults
14 blinks *****	- CPI contact not closed.

RESETTING THE BURNER CONTROL

When lockout occurs, the burner control can immediately be reset, by pressing the lockout reset button for about 1..3 seconds. The LME.. can only be reset when all contacts in the line are closed and when there is no undervoltage.

LIMITATION OF REPETITIONS (only for LME11.. model)

If no flame is established at the end of TSA, or if the flame is lost during operation, a maximum of 3 repetitions per controller startup can be performed via "R", otherwise lockout will be initiated. Counting of repetitions is restarted each time a controlled startup via "R" takes place.

TECHNICAL CHARACTERISTICS

Mains voltage	120V AC +10% / -15% 230V AC +10% / -15%
Frequency	50 ... 60 Hz +/- 6%
Power consumption	12VA
External primary fuse	max. 10 A (slow)
input current at terminal 12	max. 5 A
Thermostats cable length	max. 3 m
Index of protection	IP40 (to be ensured during mounting)
Operating conditions	-20... +60 °C, < 95% UR
Storage conditions	-20... +60 °C, < 95% UR
Weight	approx. 160 g





C.I.B. UNIGAS S.p.A.
Via L.Galvani, 9 - 35011 Campodarsego (PD) - ITALY
Tel. +39 049 9200944 - Fax +39 049 9200945/9201269
web site: www.cibunigas.it - e-mail: cibunigas@cibunigas.it

Note: Specifications and and data subject to change. Errors and omissions excepted.